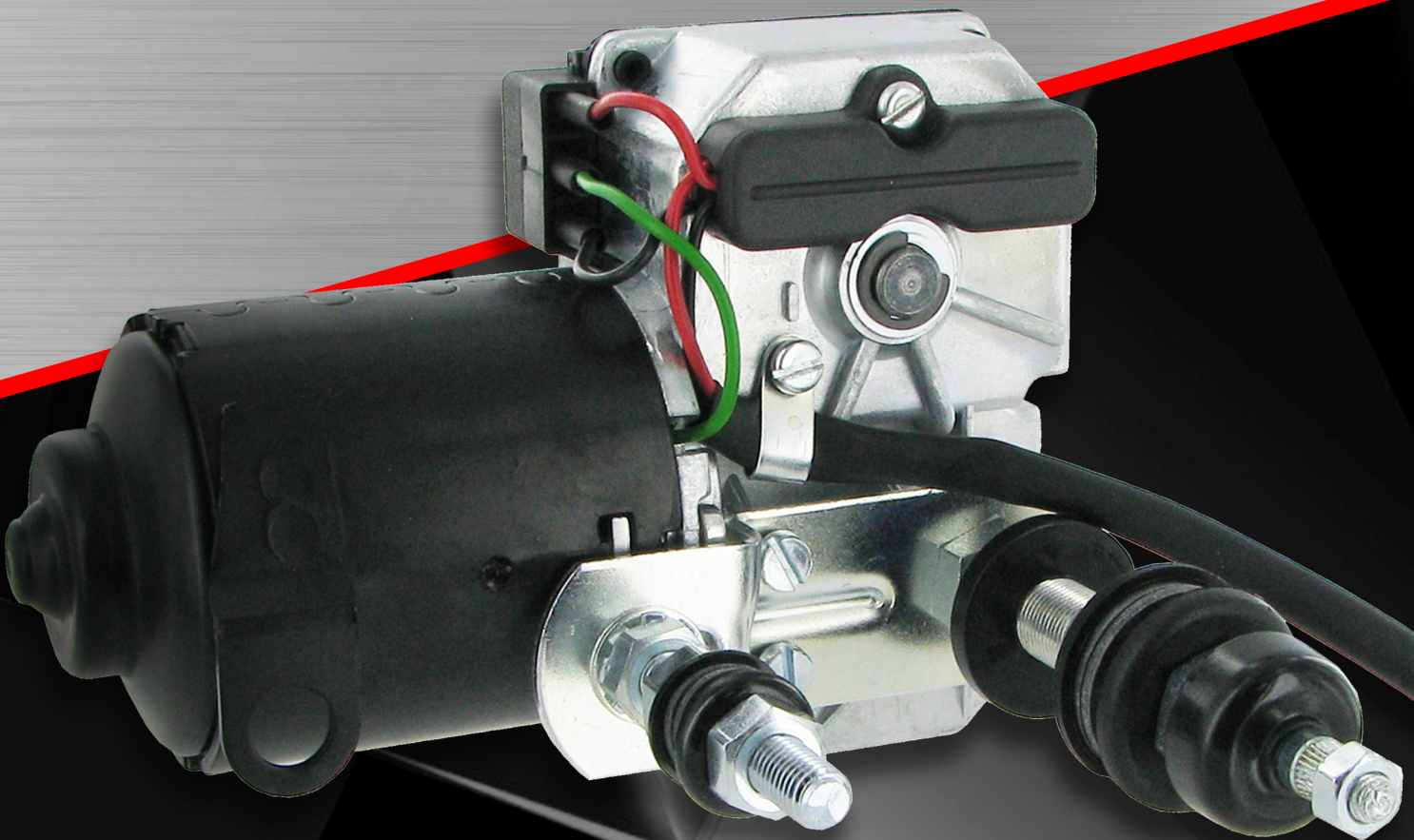




WINDSHIELD WIPER MOTORS

ARMS & BLADES

WINDSHIELD WASHING SYSTEMS



2019/1

EXPORT EUROPE & USA

General	+32 (0)2 648 35 17
Accounting	+32 (0)2 626 02 16
Fax	+32 (0)2 648 65 95
Informations	info@casteels.fr
Orders	orders@casteels.fr



Alphabetical index	2
Windshield wiper blades	3
Adapters for windshield wiper blades	3
Universal windshield wiper blades Type 01	3
Classic windshield wiper blades Type 05	3
Classic windshield wiper blades Type 06	3
Flat windshield wiper blades Type 07	4
Special windshield wiper blades	4
Windshield wiper arms	5
Adjustable windshield wiper arms Type 08-10-11	5
Adjustable windshield wiper arms Type 14-15-16	5
Adjustable windshield wiper arms Type 19	6
Specific windshield wiper arms Type 23	6
Adjustable pantographic windshield wiper arms Type 12	7
Adjustable pantographic windshield wiper arms Type 13	7
Pantographic windshield wiper arms Type 17-21	8
Pantographic windshield wiper arms Type 18	9
Windshield wiper motors	10
Wiper motors Type 312CO	10
Wiper motors Type 312CY	11
Wiper motors Type 313CY	12
Wiper motors Type 314CY	13
Wiper motors Type 315CY	14
Wiper motors Type 316	15
Wiper motors Type 318DE	16
Wiper motors Type 318IT	17
Wiper motors Type 319DE	18
Wiper motors Type 320	19
Wiper motors Type 411	20
Wiper motors Type 448 - North American	22
Wiper motors Type 516 Mod.A	24
Wiper motors Type 516 Mod.A / with switch	25
Wiper motors Type 516 Mod.B	26
Wiper motors Type 516 Mod.B / with switch	27
Wiper motors Type 516 Mod.C	28
Wiper motors Type 516 Mod.S	29
Wiper motors Type 520	30
Wiper motors Type 530	31
Wiper motors Type 616	32
Wiper motors Type 616C	33
Wiper motors Type 616S	34
Wiper motors Type 619	35
Wiper motors Type 630	36
Wiper motors Type 649	37
Wiper motors 360°	38
Shafts for wiper motors	39
Windshield washer containers	40
Windshield washer containers 2,2L - Type 02/06	40
Windshield washer containers 1,25L Type 04	40
Windshield washer containers 1,9L Type 05	41
Windshield washer containers 2,2L Type 12	41
Windshield washer containers 2,0L Type 20	42

Windshield washer containers 1,4L Type 25	42
Windshield washer containers 4,0L Type 41/42	42
Windshield washer accessories	43
Windshield washer nozzles	43
Windshield washer nozzle	43
Windshield washer nozzle	43
Windshield washer nozzle for 8x3mm wiper arms	43
Windshield washer nozzle for 12x4mm wiper arms	43
Windshield washer nozzle for 9x2,5mm wiper arms	44
Windshield washer nozzle for Type-17A wiper arms	44
Windshield washer nozzle	44
Connectors	44
Hose clips	44
Windshield washer fuild hoses	44
Windshield washer pumps	45
Windshield washer pump	45
Windshield washer kit	45
Part numbers index	46
Notes	48

A	
Adapters for windshield wiper blades	3
Adjustable pantographic windshield wiper arms Type 12	7
Adjustable pantographic windshield wiper arms Type 13	7
Adjustable windshield wiper arms Type 08-10-11	5
Adjustable windshield wiper arms Type 14-15-16	5
Adjustable windshield wiper arms Type 19	6
C	
Classic windshield wiper blades Type 05	3
Classic windshield wiper blades Type 06	3
Connectors	44
F	
Flat windshield wiper blades Type 07	4
H	
Hose clips	44
P	
Pantographic windshield wiper arms Type 17-21	8
Pantographic windshield wiper arms Type 18	9
S	
Shafts for wiper motors	39
Special windshield wiper blades	4
Specific windshield wiper arms Type 23	6
U	
Universal windshield wiper blades Type 01	3
W	
Windshield washer containers 1,25L Type 04	40
Windshield washer containers 1,4L Type 25	42
Windshield washer containers 1,9L Type 05	41
Windshield washer containers 2,0L Type 20	42
Windshield washer containers 2,2L - Type 02/06	40
Windshield washer containers 2,2L Type 12	41
Windshield washer containers 4,0L Type 41/42	42
Windshield washer fuilid hoses	44
Windshield washer kit	45
Windshield washer nozzle	43, 44
Windshield washer nozzle for 12x4mm wiper arms	43
Windshield washer nozzle for 8x3mm wiper arms	43
Windshield washer nozzle for 9x2,5mm wiper arms	44
Windshield washer nozzle for Type-17A wiper arms	44
Windshield washer nozzles	43
Windshield washer pump	45
Windshield washer pumps	45
Wiper motors 360°	38
Wiper motors Type 312CO	10
Wiper motors Type 312CY	11
Wiper motors Type 313CY	12
Wiper motors Type 314CY	13
Wiper motors Type 315CY	14
Wiper motors Type 316	15
Wiper motors Type 318DE	16
Wiper motors Type 318IT	17
Wiper motors Type 319DE	18
Wiper motors Type 320	19
Wiper motors Type 411	20
Wiper motors Type 448 - North American	22
Wiper motors Type 516 Mod.A	24
Wiper motors Type 516 Mod.A / with switch	25
Wiper motors Type 516 Mod.B	26
Wiper motors Type 516 Mod.B / with switch	27
Wiper motors Type 516 Mod.C	28
Wiper motors Type 516 Mod.S	29
Wiper motors Type 520	30
Wiper motors Type 530	31
Wiper motors Type 616	32
Wiper motors Type 616C	33
Wiper motors Type 616S	34
Wiper motors Type 619	35
Wiper motors Type 630	36
Wiper motors Type 649	37

ADAPTERS FOR WINDSHIELD WIPER BLADES



S'adapte aux marques les plus importantes, telles que CATERPILLAR, CLAAS, LEIBHERR, DEUTZ-FAHR, FENDT, FIAT AGRI, JOHN DEERE, MANITOU, NEW HOLLAND, POCLAIN, FRITZMEIER, KUBOTA, O&K, RENAULT, STEYR, VIBROMAX

Part number	Description	
Bulk		
TM.01.BAYO	Bayonet type adapter	1
TM.01.HOOK	Hook type adapter 9x2.5mm	2
TM.01.SCREW	Adapter with 2 screws	3

UNIVERSAL WINDSHIELD WIPER BLADES | TYPE 01

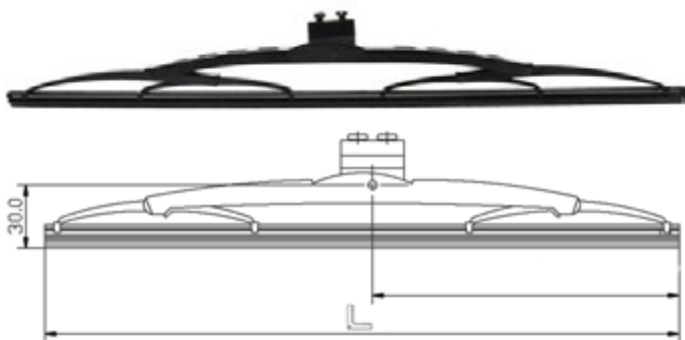
Supplied with 3 adapters. Triple anti-corrosion covering, tested 1.500.000 cycles



Part number	L	Arm
Packed in box, with hanging notch		
TM.01.0300	300 mm	08, 10 → 16, 18, 19
TM.01.0330	330 mm	08, 10 → 16, 18, 19
TM.01.0350	350 mm	08, 10 → 16, 18, 19
TM.01.0400	400 mm	08, 10 → 16, 18, 19
TM.01.0450	450 mm	08, 10 → 16, 18, 19
TM.01.0500	500 mm	08, 10 → 16, 18, 19
TM.01.0530	530 mm	08, 10 → 16, 18, 19
TM.01.0550	550 mm	08, 10 → 16, 18, 19
TM.01.0600	600 mm	08, 10 → 16, 18, 19

CLASSIC WINDSHIELD WIPER BLADES | TYPE 05

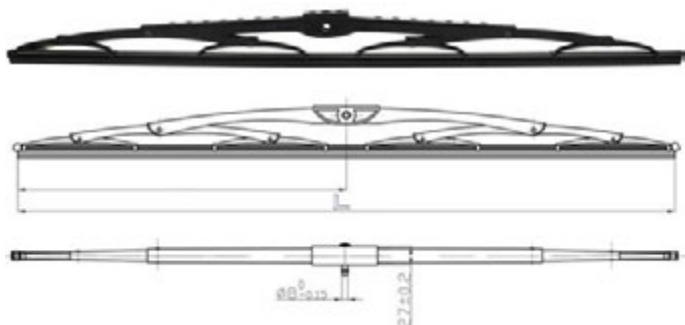
Fixing by 2 screws. Triple anti-corrosion covering, tested 1.500.000 cycles



Part number	L	Arm
Packed in a small bag, with hanging notch		
TM.05.0300	300 mm	08, 10, 11, 12, 18
TM.05.0330	330 mm	08, 10, 11, 12, 18
TM.05.0350	350 mm	08, 10, 11, 12, 18
TM.05.0400	400 mm	08, 10, 11, 12, 18
TM.05.0450	450 mm	08, 10, 11, 12, 18
TM.05.0500	500 mm	08, 10, 11, 12, 18
TM.05.0600	600 mm	08, 10, 11, 12, 18
TM.05.0700	700 mm	08, 10, 11, 12, 18

CLASSIC WINDSHIELD WIPER BLADES | TYPE 06

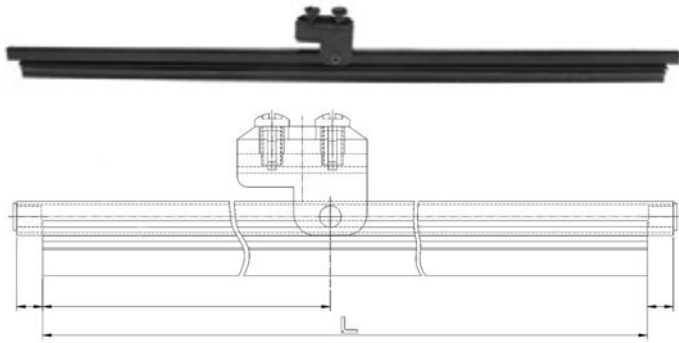
Fixing by jumper. Triple anti-corrosion covering, tested 1.500.000 cycles



Part number	L	Arm
Packed in a small bag, with hanging notch		
TM.06.0500	500 mm	17, 21 (16,5mm)
TM.06.0550	550 mm	17, 21 (16,5mm)
TM.06.0600	600 mm	17, 21 (16,5mm)
TM.06.0650	650 mm	17, 21 (16,5mm)
TM.06.0700	700 mm	17, 21 (16,5mm)
TM.06.0800	800 mm	17, 21 (16,5mm)
TM.06.0801	800 mm	17, 21 (27,2mm)
TM.06.0900	900 mm	17, 21 (16,5mm)
TM.06.1000	1000 mm	17, 21 (16,5mm)

FLAT WINDSHIELD WIPER BLADES | TYPE 07

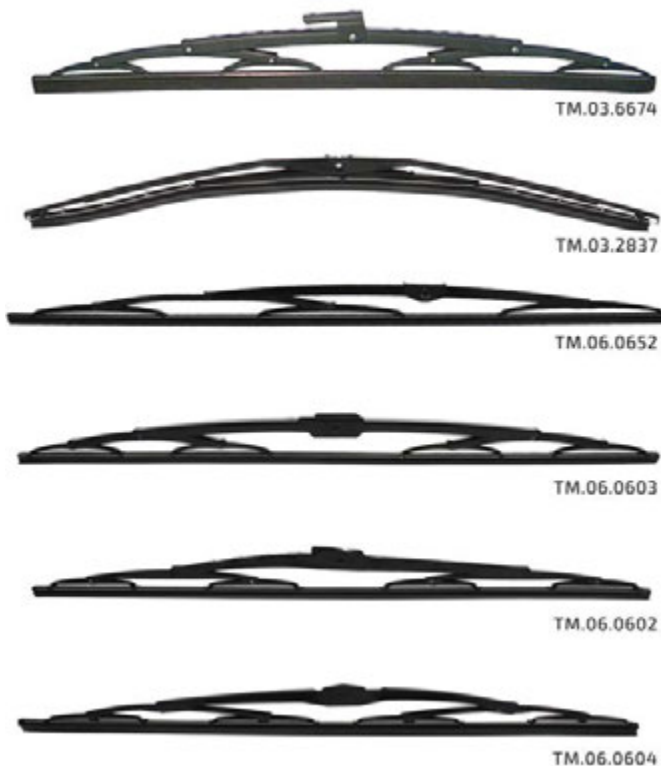
Fixing by 2 screws. Triple anti-corrosion covering, tested 1.500.000 cycles



Part number	L	Arm
Packed in a small bag, with hanging notch		
TM.07.0060	60 mm	08, 10, 11, 12, 18
TM.07.0150	150 mm	08, 10, 11, 12, 18
TM.07.0250	250 mm	08, 10, 11, 12, 18
TM.07.0270	270 mm	08, 10, 11, 12, 18
TM.07.0300	300 mm	08, 10, 11, 12, 18
TM.07.0350	350 mm	08, 10, 11, 12, 18
TM.07.0400	400 mm	08, 10, 11, 12, 18
TM.07.0450	450 mm	08, 10, 11, 12, 18
TM.07.0500	500 mm	08, 10, 11, 12, 18

SPECIAL WINDSHIELD WIPER BLADES

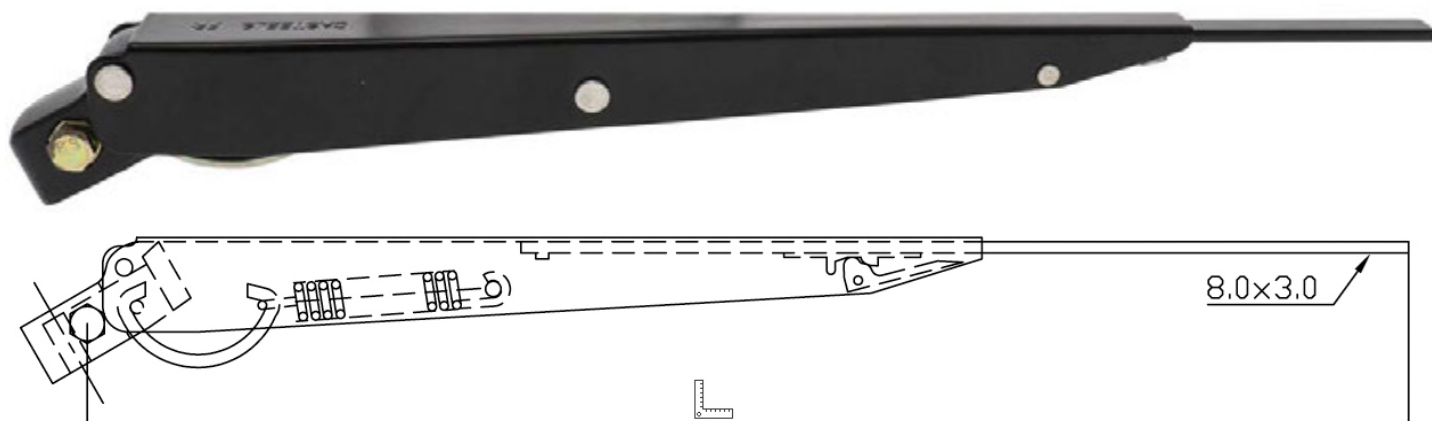
Triple anti-corrosion covering, tested 1.500.000 cycles



Part number	L	Arm	X-Ref
Packed in a small bag			
TM.03.6674	600 mm	TM.23.6673	MF: Series 3050-3690, 675-679 Ref. 3 302 795 M91 Ref. 3 385 254 M91 Ref. 3 620 129 M91
TM.03.2837	500 mm	TM.23.2870	Ford New Holland: Ref. E8DB17528AA Ref. 81872107 Ref. 83905157
TM.06.0652	650 mm	17, 21 (16,5mm)	CNH: Ref. 3401 303 R91
TM.06.0653	650 mm	14, 15, 16	Renault Agri: Ref. 77 00 039369
TM.06.0603	600 mm	14, 15, 16	John Deere: Series 6000 Ref. RE 24201 Ref. AL 153661 Ref. TY 16306
TM.06.0602	600 mm	14, 15, 16	Fendt: Ref. X 524810170020
TM.06.0604	600 mm	17, 21 (16,5mm)	Steyr: Series 6000, 100CVT, 9000 CNH: Series CVX, 1000, 100CVX 1-34-674-003 70/1987-39

ADJUSTABLE WINDSHIELD WIPER ARMS | TYPE 08-10-11

Triple anti-corrosion covering

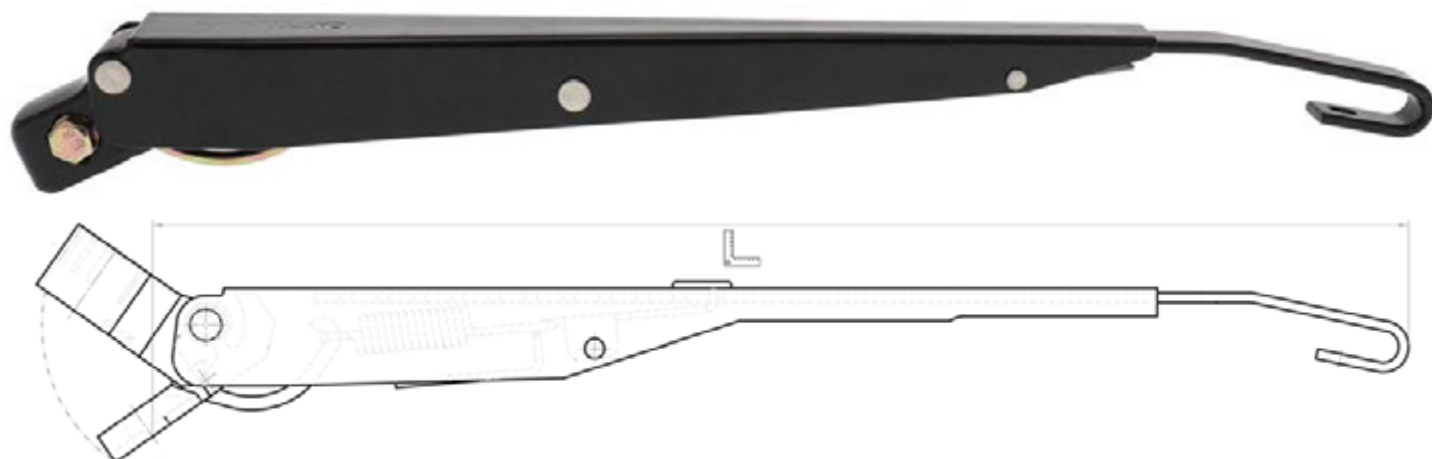


Part number	Type	L	Blades	Motors	Section
For motors with 6mm shafts					
TM.08.3040	08	300-400 mm	01, 05, 07	312CY, 313CY, 314CY	8 x 3.0
TM.08.4050	08	400-500 mm	01, 05, 07	312CY, 313CY, 314CY	8 x 3.0
For motors with A8xM6 shafts					
TM.10.3040	10	300-400 mm	01, 05, 07	312CO, 316, 318, 319, 516, 616	8 x 3.0
TM.10.4050	10	400-500 mm	01, 05, 07	312CO, 316, 318, 319, 516, 616	8 x 3.0
TM.10.5060	10	500-600 mm	01, 05, 07	312CO, 316, 318, 319, 516, 616	8 x 3.0
For motors with A10xM8 shafts					
TM.11.3040	11	300-400 mm	01, 05, 07	319, 516, 616, 616	8 x 3.0
TM.11.4050	11	400-500 mm	01, 05, 07	319, 516, 616B, 616C	8 x 3.0

Part number	Description
TM.10.5060S	Special version pre-equipped with nozzle + hose

ADJUSTABLE WINDSHIELD WIPER ARMS | TYPE 14-15-16

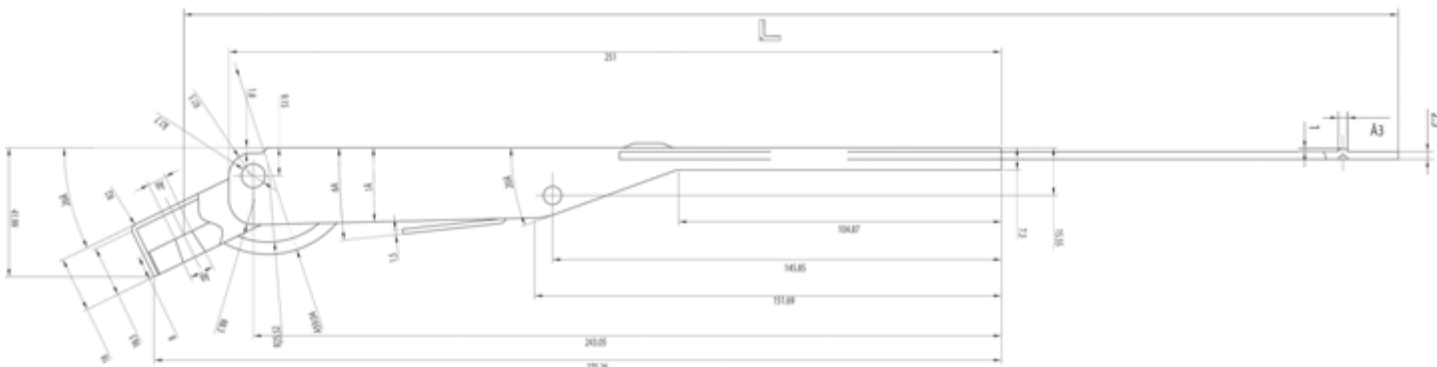
Triple anti-corrosion covering



Part number	Type	L	Blades	Motors	Section
For motors with 6mm shafts					
TM.14.3040	14	300-400 mm	01	312CY, 313CY, 314CY	9 x 2.5
TM.14.4050	14	400-500 mm	01	312CY, 313CY, 314CY	9 x 2.5
For motors with A8xM6 shafts					
TM.15.3040	15	300-400 mm	01	312CO, 316, 318, 319, 516, 616	9 x 2.5
TM.15.4050	15	400-500 mm	01	312CO, 316, 318, 319, 516, 616	9 x 2.5
For motors with A10xM8 shafts					
TM.16.3040	16	300-400 mm	01	319, 516, 616B, 616C	9 x 2.5
TM.16.4050	16	400-500 mm	01	319, 516, 616B, 616C	9 x 2.5

ADJUSTABLE WINDSHIELD WIPER ARMS | TYPE 19

Triple anti-corrosion covering

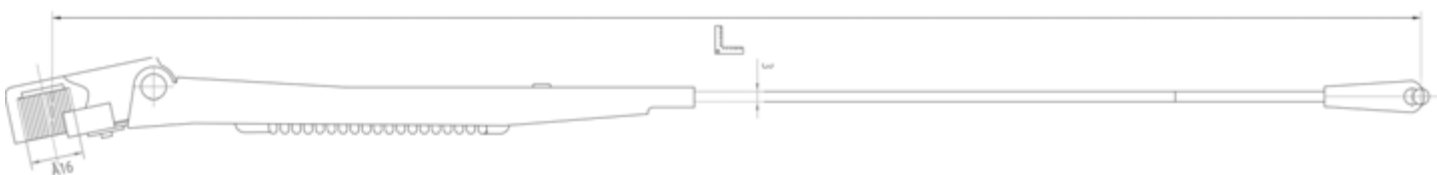


Part number	Type	L	Blades	Motors	Section
For motors with A8xM6 shafts					
TM.19.3040	19	300-400 mm	01	312CO, 316, 318, 319, 516, 616	7.1 x 2.5
TM.19.4050	19	400-500 mm	01	312CO, 316, 318, 319, 516, 616	7.1 x 2.5
For motors with A10xM8 shafts					
TM.19.3042	19	300-400 mm	01	516, 616B, 616C	7.1 x 2.5
TM.19.4052	19	400-500 mm	01	516, 616B, 616C	7.1 x 2.5

Part number	Description
TM.19.5060C	Special angled version (500-600mm)

SPECIFIC WINDSHIELD WIPER ARMS | TYPE 23

Triple anti-corrosion covering

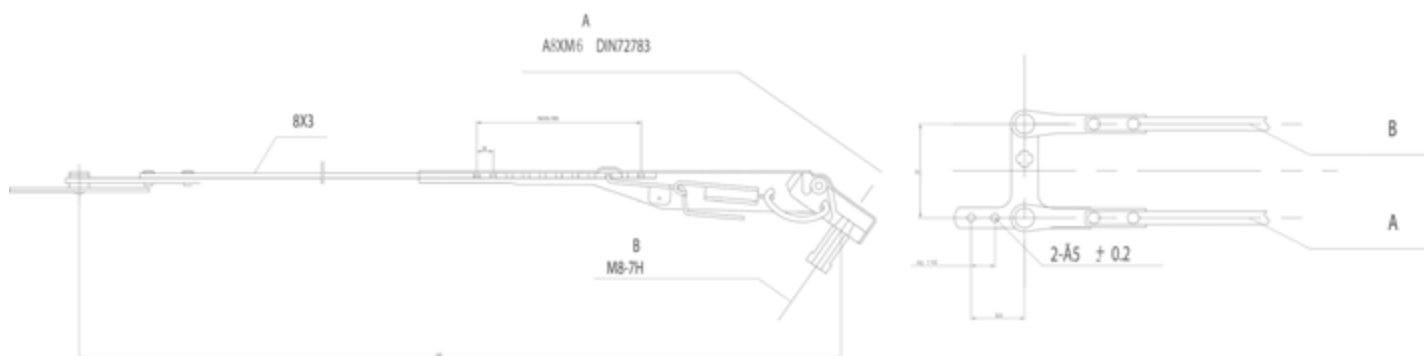



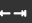
Part number	Type	L	Blades	Section
For motors with A12xM8 shafts				
TM.23.6673	23	480 mm	TM.03.6674	10 x 2.5
Attachement Dia. 15,7mm				
TM.23.2870	23	410 mm	TM.03.2837	9 x 3

TM.23.6673: X-Ref.: MF 3 302 794 M91
 TM.23.2870: X-Ref.: Ford D6NN17526A
 X-Ref.: Ford 83910042

ADJUSTABLE PANTOGRAPHIC WINDSHIELD WIPER ARMS | TYPE 12

Triple anti-corrosion covering





Part number	Type		Blades	Motors	Section	
For motors with A8xM6 shafts						
TM.12.3040	12	300-400 mm	01, 05	316, 318, 319, 516, 616	8 x 3.0	57
TM.12.4050	12	400-500 mm	01, 05	316, 318, 319, 516, 616	8 x 3.0	57
TM.12.5060	12	500-600 mm	01, 05	316, 318, 319, 516, 616	8 x 3.0	57
For motors with A10xM8 shafts						
TM.12.4052	12	400-500 mm	01, 05	516, 616B, 616C	8 x 3.0	57
TM.12.5062	12	500-600 mm	01, 05	516, 616B, 616C	8 x 3.0	57

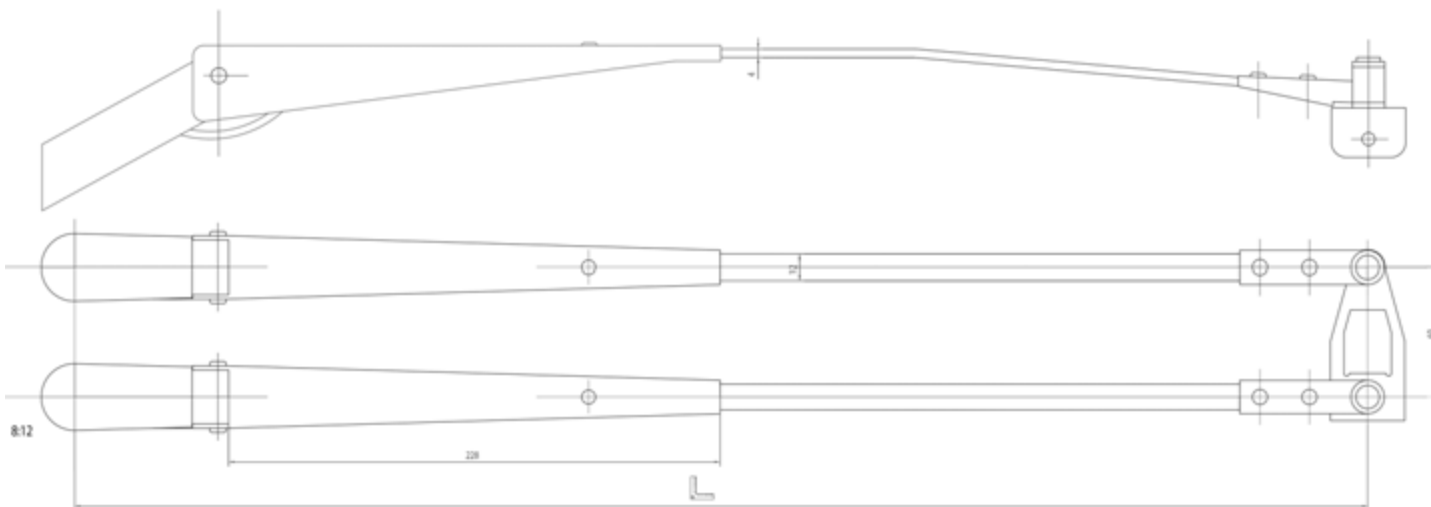
ADJUSTABLE PANTOGRAPHIC WINDSHIELD WIPER ARMS | TYPE 13

Triple anti-corrosion covering



Part number	Type		Blades	Motors	Section	
For motors with A8xM6 shafts						
TM.13.4050	13	400-500 mm	01	318IT, 319IT	8 x 3.0	50
TM.13.5060	13	500-600 mm	01	318IT, 319IT	8 x 3.0	50
For motors with A10xM8 shafts						
TM.13.4052	13	400-500 mm	01	516, 616B, 616C	8 x 3.0	57
TM.13.5062	13	500-600 mm	01	516, 616B, 616C	8 x 3.0	57

PANTOGRAPHIC WINDSHIELD WIPER ARMS | TYPE 17-21

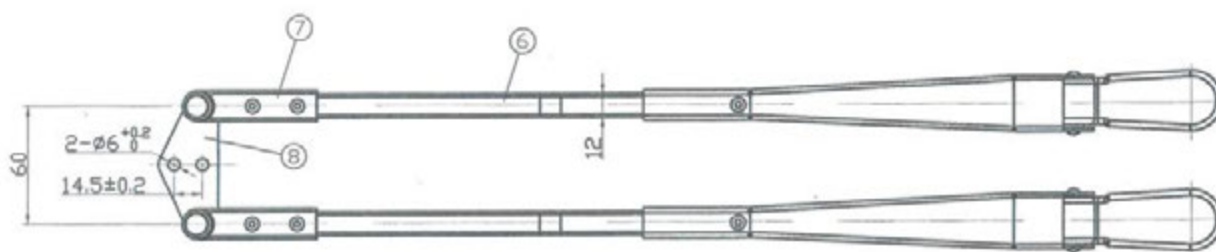
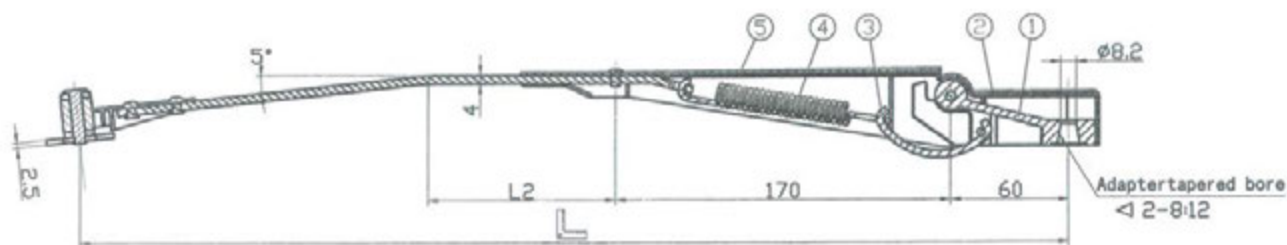
Triple protection anti-corrosion

Part number	Type		Blades	Jumper	Position	Motors	Section		Spray
For motors with A12xM8 shafts									
TM.17.0400	17A	400 mm	06	16,5 mm	Offset	411, 619	12 x 4.0	60 mm	TM.02.9017
TM.17.0500	17A	500 mm	06	16,5 mm	Offset	411, 619	12 x 4.0	60 mm	TM.02.9017
TM.17.0550	17A	550 mm	06	16,5 mm	Offset	411, 619	12 x 4.0	60 mm	TM.02.9017
TM.17.0600	17A	600 mm	06	16,5 mm	Offset	411, 619	12 x 4.0	60 mm	TM.02.9017
TM.17.0650	17A	650 mm	06	16,5 mm	Offset	411, 619	12 x 4.0	60 mm	TM.02.9017
TM.17.0651	17B	650 mm	06	27,2mm	Centered	411, 619	12 x 4.0	60 mm	-
TM.17.0680	17A	680 mm	06	16,5 mm	Offset	411, 619	12 x 4.0	60 mm	TM.02.9017
TM.17.0700	17A	700 mm	06	16,5 mm	Offset	411, 619	12 x 4.0	60 mm	TM.02.9017
TM.17.0750	17A	750 mm	06	16,5 mm	Offset	411, 619	12 x 4.0	60 mm	TM.02.9017
TM.17.0800	17A	800 mm	06	16,5 mm	Offset	411, 619	12 x 4.0	60 mm	TM.02.9017
TM.17.0801	17B	800 mm	06	27,2mm	Centered	411, 619	12 x 4.0	60 mm	-
TM.17.0900	17C	900 mm	06	27,2mm	Offset	411, 619	12 x 4.0	60 mm	-
TM.17.0950	17C	950 mm	06	27,2mm	Offset	411, 619	12 x 4.0	60 mm	-
TM.17.1000	17C	1000 mm	06	27,2mm	Offset	411, 619	12 x 4.0	60 mm	-
For motors with A10xM8 + A12xM8 shafts									
TM.21.0500	21A	500 mm	06	16,5 mm	Offset	520	12 x 4.0	60 mm	TM.02.9017
TM.21.0550	21A	550 mm	06	16,5 mm	Offset	520	12 x 4.0	60 mm	TM.02.9017
TM.21.0600	21A	600 mm	06	16,5 mm	Offset	520	12 x 4.0	60 mm	TM.02.9017
TM.21.0650	21A	650 mm	06	16,5 mm	Offset	520	12 x 4.0	60 mm	TM.02.9017
TM.21.0700	21A	700 mm	06	16,5 mm	Offset	520	12 x 4.0	60 mm	TM.02.9017
TM.21.0750	21A	750mm	06	16,5 mm	Offset	520	12 x 4.0	60 mm	TM.02.9017
TM.21.0800	21A	800 mm	06	16,5 mm	Offset	520	12 x 4.0	60 mm	TM.02.9017

Part number	Description
TM.17.0900ST	Special version pre-equipped with nozzle + hose

PANTOGRAPHIC WINDSHIELD WIPER ARMS | TYPE 18

Triple anti-corrosion covering



Part number	Type	L	Blades	Motors	Section	→
For motors with A12xM8 shafts						
TM.18.0400	18	400 mm	01, 05	411, 619	12 x 4.0	60
TM.18.0410	18	410 mm	01, 05	411, 619	12 x 4.0	60
TM.18.0500	18	500 mm	01, 05	411, 619	12 x 4.0	60
TM.18.0600	18	600 mm	01, 05	411, 619	12 x 4.0	60
TM.18.0650	18	650 mm	01, 05	411, 619	12 x 4.0	60
TM.18.0700	18	700 mm	01, 05	411, 619	12 x 4.0	60

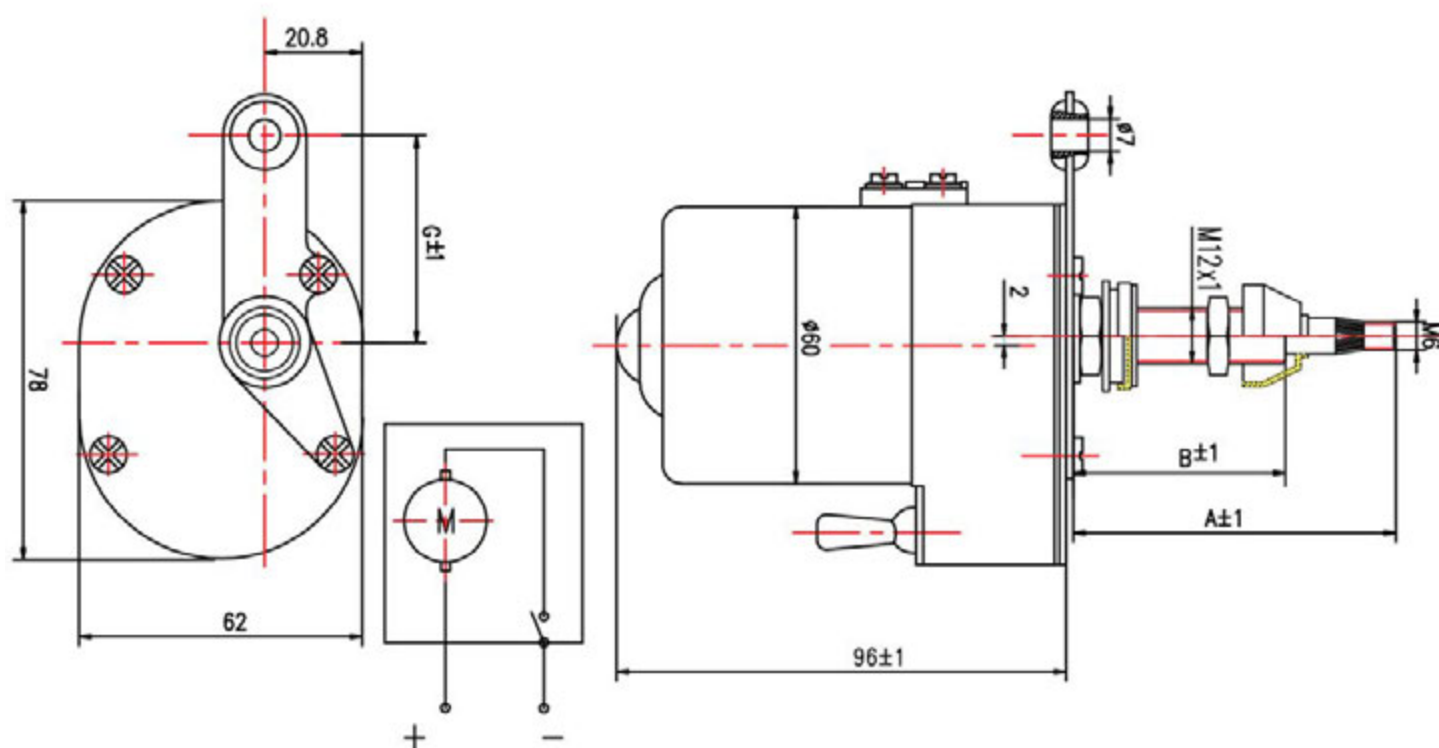
Part number	Description
TM.18.0600S	Special version pre-equipped with nozzle + hose

WIPER MOTORS | TYPE 312CO

Conical shaft end

Technical specifications

Speeds:	1 speed 40 RPM
Automatic stop:	No
EMC filter:	No
Thermal cutoff:	No
Switch:	Yes
Starting torque (Ma):	6,0 Nm
Nominal torque (Md):	0,9 Nm
Consumption:	12V: 0,8A 24V: 0,5A



Part number	V	Angle	A (mm)	B (mm)	D	G	W	WD	L[max]
Type 312CO									
TM.69.36	12	65°	61	34	M12x1	45	A8xM6	5	575mm
TM.69.59	12	65°	85	58	M12x1	45	A8xM6	5	575mm
TM.67.46	12	85°	71	44	M12x1	45	A8xM6	5	575mm
TM.70.46	24	85°	71	44	M12x1	45	A8xM6	5	575mm
TM.67.98	12	85°	124	97	M12x1	45	A8xM6	5	575mm
TM.70.98	24	85°	124	97	M12x1	45	A8xM6	5	575mm
TM.68.46	12	105°	71	44	M12x1	45	A8xM6	5	575mm
TM.71.46	24	105°	71	44	M12x1	45	A8xM6	5	575mm
TM.68.98	12	105°	124	97	M12x1	45	A8xM6	5	575mm
TM.71.98	24	105°	124	97	M12x1	45	A8xM6	5	575mm

WIPER MOTORS | TYPE 312CY

Cylindrical shaft end

Technical specifications

Speeds:	1 speed 40 RPM
Automatic stop:	No
EMC filter:	No
Thermal cutoff:	No
Switch:	Yes
Starting torque (Ma):	6,0 Nm
Nominal torque (Md):	0,9 Nm
Consumption:	12V: 0,8A 24V: 0,5A

Cross-referencing DOGA

TM.77.1246	112.1340.2B
TM.77.1299	112.1380.2B
TM.77.2446	112.1340.3B
TM.77.2499	112.1380.3B
TM.78.1246	112.1540.2B
TM.78.1299	112.1580.2B
TM.78.2499	112.1580.3B

Cross-referencing SWF

TM.77.1246	402 244, 402 248
TM.79.1260	402 280
TM.77.1299	402 227
TM.77.2446	402 230

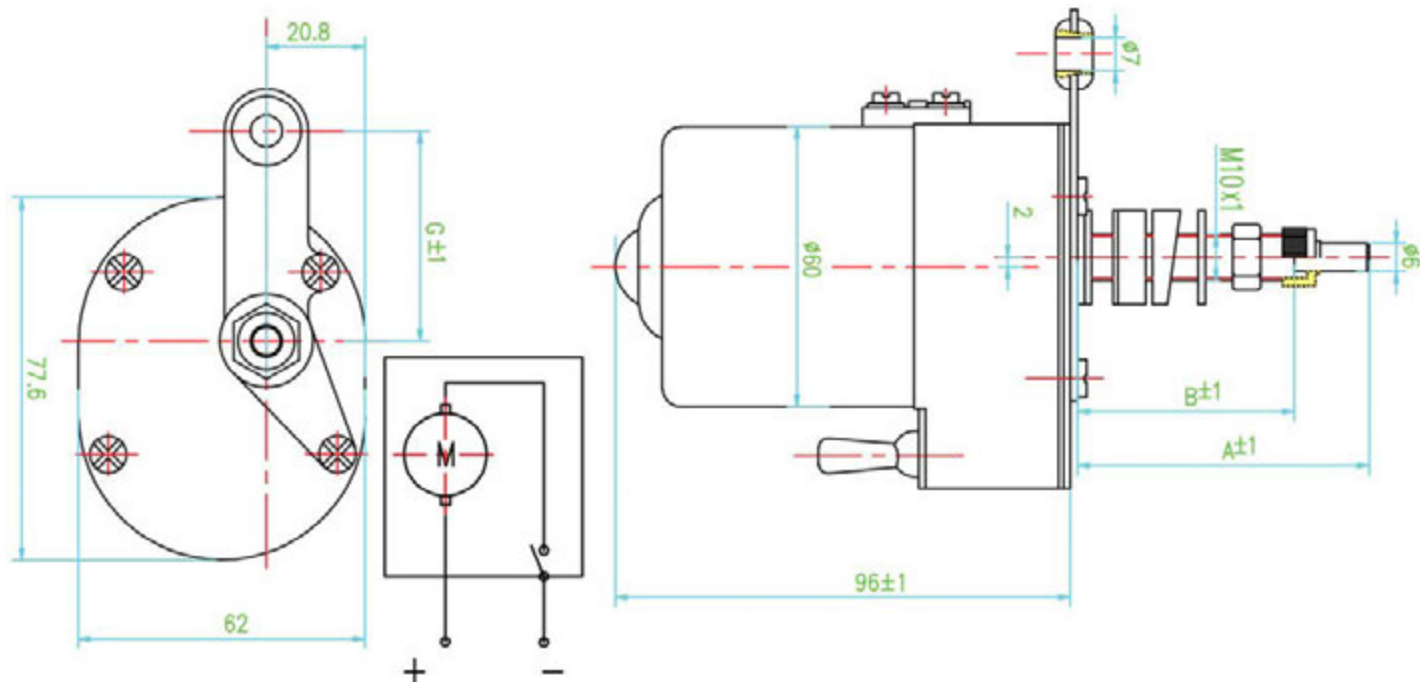


Cross-referencing Bosch

TM.52.6552	0 390 506 509 0 390 506 552 0 390 506 556
TM.79.1260	

Fitting

TM.52.6552	CNH → 108 9015-R1
TM.78.1299	CASE IH → 11215802000 / 11215802B00 / EBM158012 / 160033 / 12V84MM110GR



Part number	V	Angle	A (mm)	B (mm)	D	G	W	WD	L[max]
Type 312CY - Mod.A									
TM.79.1295	12	115°	110	95	M10x1	-	6mm	5	575mm
TM.52.6552	12	135°	60	45	M10x1	-	6mm	5	575mm
Type 312CY - Mod.B									
TM.79.1260	12	65°	75	60	M10x1	45	6mm	5	575mm
TM.79.2460	24	65°	75	60	M10x1	45	6mm	5	575mm
TM.77.1246	12	85°	61	46	M10x1	45	6mm	5	575mm
TM.77.2446	24	85°	61	46	M10x1	45	6mm	5	575mm
TM.77.1295	12	85°	110	95	M10x1	45	6mm	5	575mm
TM.77.1299	12	85°	115	99	M10x1	45	6mm	5	575mm
TM.77.2499	24	85°	115	99	M10x1	45	6mm	5	575mm
TM.78.1246	12	110°	61	46	M10x1	45	6mm	5	575mm
TM.78.2446	24	110°	61	46	M10x1	45	6mm	5	575mm
TM.78.1299	12	110°	115	99	M10x1	45	6mm	5	575mm
TM.78.2499	24	110°	115	99	M10x1	45	6mm	5	575mm

Part numbers in black : items available from stock.

Part numbers in grey : limited availability or manufactured on demand: please contact us.

WIPER MOTORS | TYPE 313CY

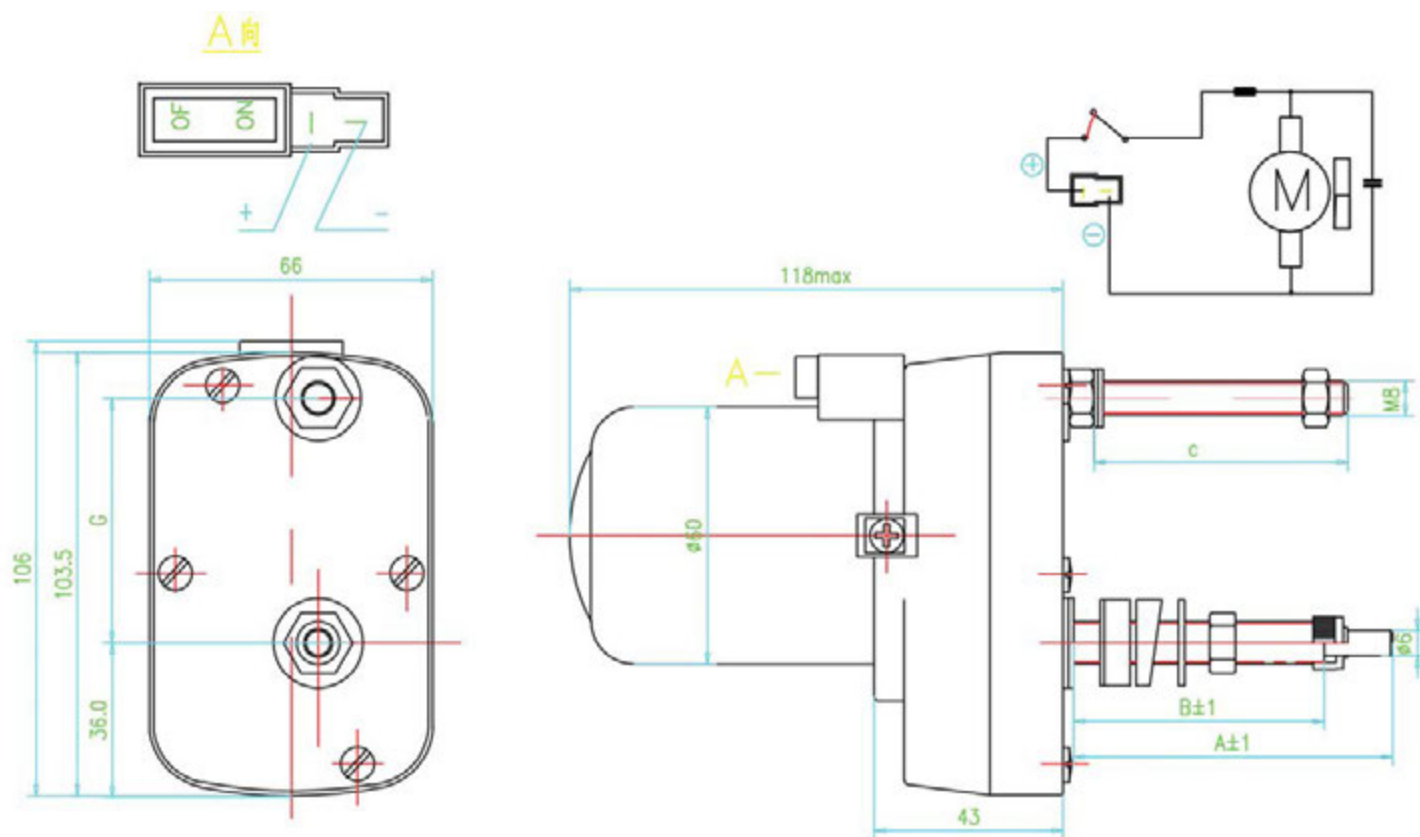
Cylindrical shaft end

Technical specifications

Speeds:	1 speed 40 RPM
Automatic stop:	No
EMC filter:	Yes
Thermal cutoff:	No
Switch:	Yes
Starting torque (Ma):	7,0 Nm
Nominal torque (Md):	1,05 Nm
Consumption:	12V: 1,0A 24V: 0,8A

Cross-referencing DOGA

TM.47.1263	113.2450.20
TM.48.1263	113.2550.20
TM.48.2463	113.2550.30



Part number	V	Angle	E1 (mm)	A (mm)	B (mm)	C (mm)	D	F	G	W	WD	L[max]
Type 313CY												
TM.47.1263	12	90°	6	78	63	55	M10x1	M8	57	6	1	725
TM.48.1263	12	110°	6	78	63	55	M10x1	M8	57	6	1	725
TM.48.2463	24	110°	6	78	63	55	M10x1	M8	57	6	1	725

WIPER MOTORS | TYPE 314CY

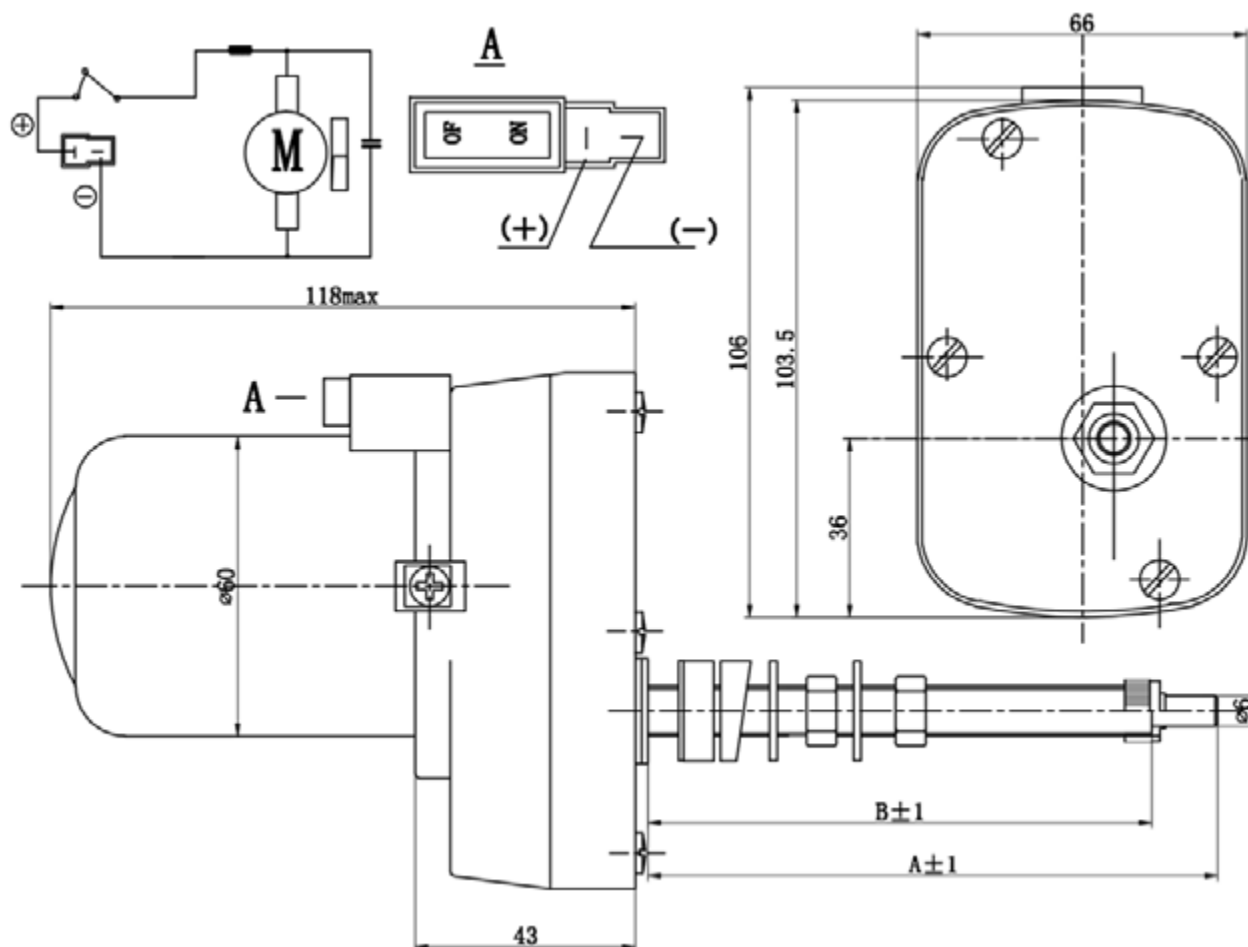
Cylindrical shaft end

Technical specifications

Speed	1 speed 40 RPM
Automatic stop:	No
EMC filter:	Yes
Thermal cutoff:	No
Starting torque (Ma):	7,0 Nm
Nominal torque (Md):	1,05 Nm
Consumption:	12V: 1,0A 24V: 0,8A

Cross-referencing SWF

TM.59.1299	402.229
TM.60.1260	402.518



Part number	V	Angle	A (mm)	B (mm)	D	W	WD	L[max]
Type 314CY								
TM.59.1245	12	120°	60	45	M10x1	6	1	725mm
TM.59.1285	12	120°	85	63	M10x1	6	1	725mm
TM.59.1299	12	120°	114	99	M10x1	6	1	725mm
TM.60.1260	12	135°	65	50	M10x1	6	1	725mm

Part numbers in black : items available from stock.

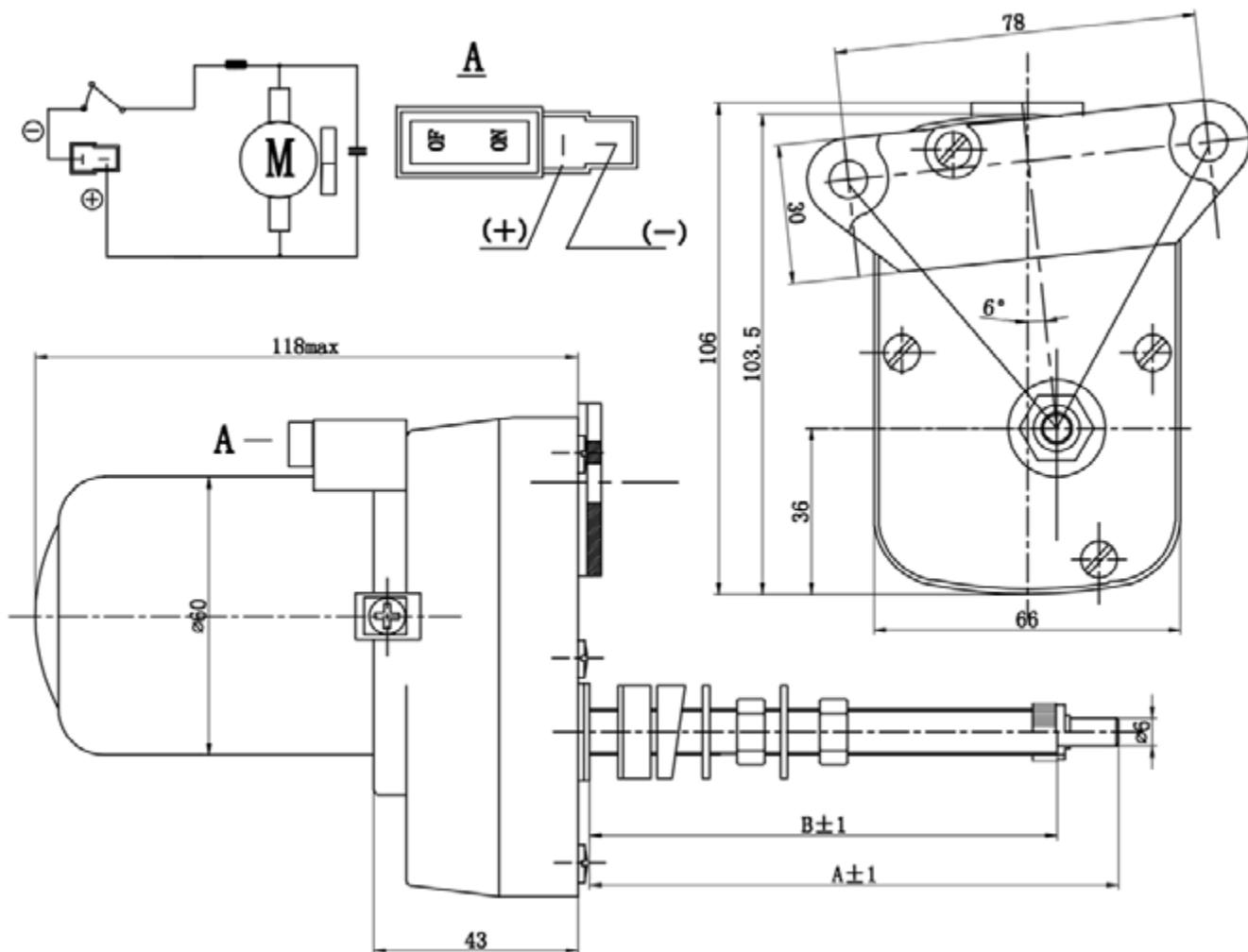
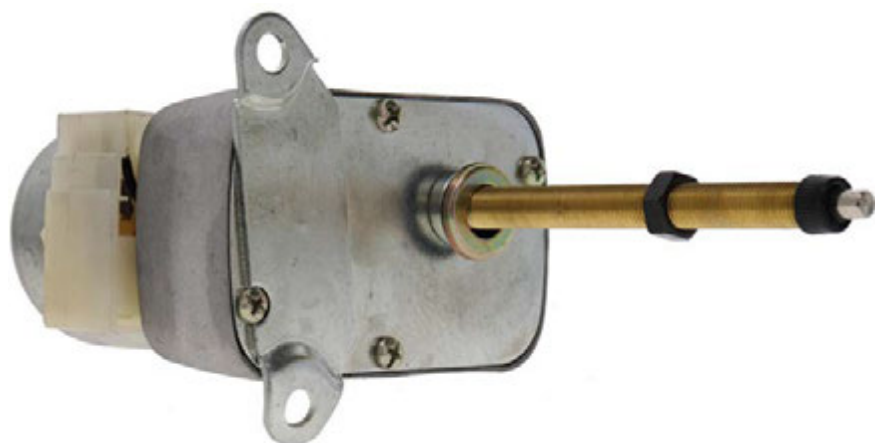
Part numbers in grey : limited availability or manufactured on demand: please contact us.

WIPER MOTORS | TYPE 315CY

Conical shaft end

Technical specifications

Speed:	1 speed 40 RPM
Automatic stop:	No
EMC filter:	Yes
Thermal cutoff:	No
Switch:	Yes
Starting torque (Ma):	7,0 Nm
Nominal torque (Md):	1,05 Nm
Consumption:	12V: 1,0A 24V: 0,8A



Part number	V	Angle	A (mm)	B (mm)	D	W	WD	L[max]
Type 315CY								
TM.49.1263	12	90°	93	63	M10x1	6	1	725mm
TM.49.1284	12	90°	114	84	M10x1	6	1	725mm
TM.49.2484	24	90°	114	84	M10x1	6	1	725mm
TM.50.1284	12	110°	114	84	M10x1	6	1	725mm

WIPER MOTORS | TYPE 318DE

Conical shaft end

Technical specifications

Speeds	1 speed 40 RPM
Automatic stop:	No
EMC filter:	Yes
Thermal cutoff:	No
Switch:	Yes
Earth insulated:	Yes
Starting torque (Ma):	12,0 Nm
Nominal torque (Md):	1,80 Nm
Consumption:	12V: 1,0A 24V: 0,8A

Cross-referencing SWF

TM.40.0286	403.080
TM.40.0353	403.345
TM.41.0286	403.081
TM.40.0486	403.078
TM.40.0586	402.903
TM.40.0653	403.156
TM.40.0753	403.044
TM.40.3346	403.346
TM.41.0486	403.079
TM.41.0586	402.904

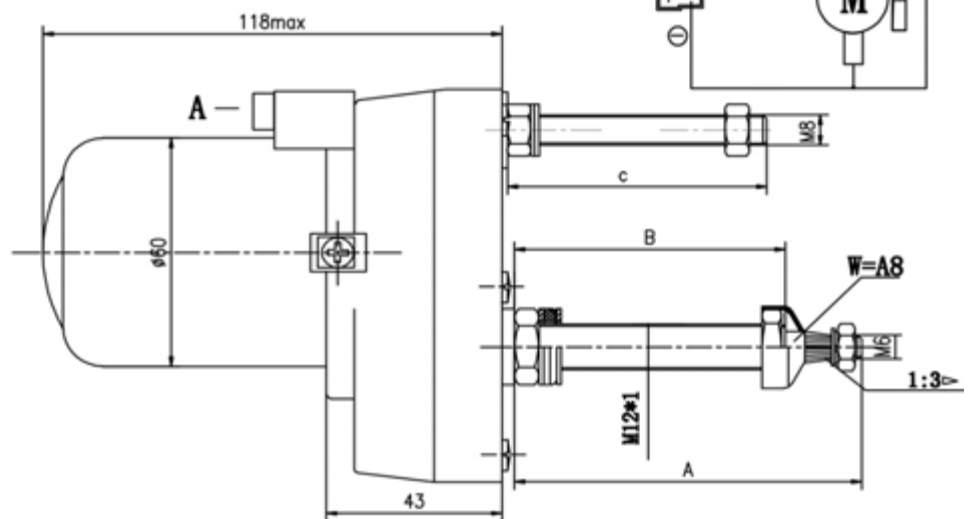
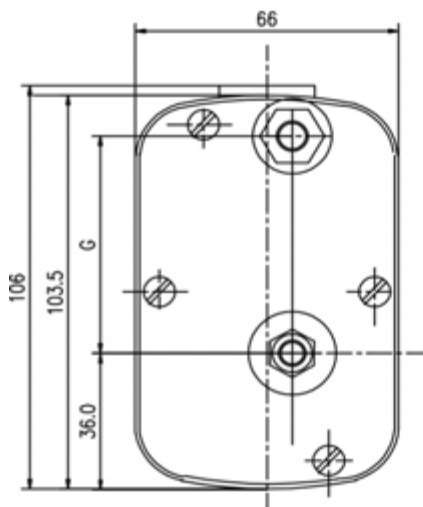
Cross-referencing Bosch

TM.40.0564	0 390 616 017
	0 390 616 550
TM.40.0753	0 390 616 061



Fitting

TM.40.0564	Fendt 102-1085 → 258 514 281 010 / 830 270 007 000
TM.40.0653	CNH 433-933 → 132 8080 C91
TM.40.0753	CNH 433-933, Comfort Cabin 2000 → 623 045 John Deere MC1 & MC2 → 133 2514C1 Fiat Cabine Siac TS24 & 25 → AL 58 520 Fortschritt ZT 300-323 → 707 41 922 John Deere → AL58520



Part number	V	Angle	E1 (mm)	A (mm)	B (mm)	C (mm)	D	F	G	W	WD	SN	L[<i>max</i>]
Type 318DE													
TM.40.0286	12	80°	6	87	65	65	M12x1	M8	57	A8xM6	5	40	750mm
TM.41.0286	24	80°	6	87	65	65	M12x1	M8	57	A8xM6	5	40	750mm
TM.40.0353	12	85°	6	53	34	14	M12x1	M8	57	A8xM6	5	40	750mm
TM.40.3346	24	85°	6	53	34	14	M12x1	M8	57	A8xM6	5	40	750mm
TM.40.0486	12	95°	6	87	65	65	M12x1	M8	57	A8xM6	5	40	750mm
TM.40.3255	12	95°	6	53	34	28	M12x1	M8	57	A8xM6	5	40	750mm
TM.41.0486	24	95°	6	87	65	65	M12x1	M8	57	A8xM6	5	40	750mm
TM.40.0564	12	105°	6	67	45	17	M12x1	M8	57	A8xM6	5	40	750mm
TM.41.0564	24	105°	6	67	45	17	M12x1	M8	57	A8xM6	5	40	750mm
TM.40.0586	12	105°	6	87	65	65	M12x1	M8	57	A8xM6	5	40	750mm
TM.41.0586	24	105°	6	87	65	65	M12x1	M8	57	A8xM6	5	40	750mm
TM.40.0653	12	115°	6	53	34	28	M12x1	M8	57	A8xM6	5	40	750mm
TM.41.0653	24	115°	6	53	34	28	M12x1	M8	57	A8xM6	5	40	750mm
TM.40.0753	12	135°	6	53	34	28	M12x1	M8	57	A8xM6	5	40	750mm
TM.41.0753	24	135°	6	53	34	28	M12x1	M8	57	A8xM6	5	40	750mm

WIPER MOTORS | TYPE 319DE

Conical shaft end

Technical specifications

Speeds:	1 speed 40RPM
Automatic stop:	Yes
EMC filter:	Yes
Thermal cutoff:	No
Switch:	No
Earth-insulated:	Yes
Starting torque (Ma):	12,0 Nm
Nominal torque (Md):	1,80 Nm
Consumption:	12V: 1,0A 24V: 0,8A

Cross-referencing SWF

TM.40.3727	403.727
TM.40.3188	403.188
TM.42.0364	403.051
TM.42.0418R	402.897
TM.42.0564	403.049
TM.42.0574	403.912
TM.42.0685	402.679
TM.42.0785	403.039, 403.034
TM.42.0853R	403.045
TM.42.0864	402.899
TM.43.0364	403.052
TM.43.0564	403.050
TM.43.0785	403.038

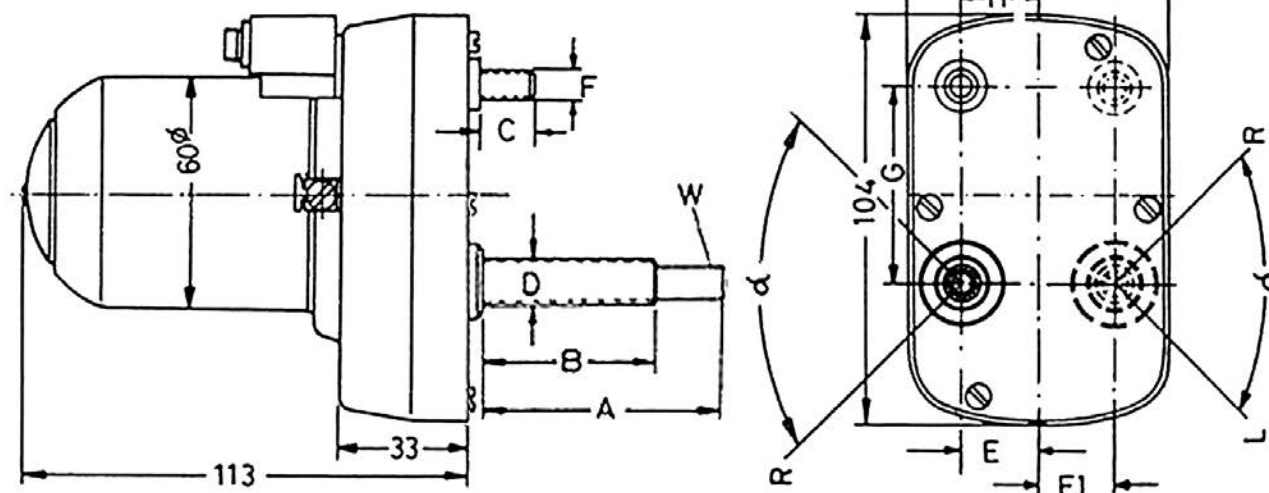
Cross-referencing (Bosch)

TM.42.0853R	0 126 63 150
-------------	--------------



Fitting

TM.42.0564	Deutz Agroprima → 0438 2930 / 0439 1426 Fendt → X 830 270 007
TM.42.0685	Fendt Farmer 300 & Favorit 600 → X 830 270 005 / X 830 270 006 Eicher-Schlepper → 3072-3145
TM.42.0785	MB Trac 700-1000
TM.42.0853R	Deutz DX 3, 4, 5 & Star Cab → 0117 5799 / 0436 3241 / 620 585 (GF) Deutz → 0117 5958 / 0126 3150 / 0390616062 CASE IH → 3232764R1
TM.42.0864	Fendt Favorit → X 830 270 066
TM.42.0574	Deutz DX 3.10-3.65 & 4.10-4.70, AGRO X-tra 3.57-6.17, Agro Star 4.31, Agroprima 4.31-6.16, Star Cab 3.10-3.90 → 0439 0385



Part number	V	Angle	PP	E (mm)	E1 (mm)	H (mm)	A (mm)	B (mm)	C (mm)	D	F	G	W	WD	SN	L[max]
Type 319DE - Mod.A (A8xM6)																
TM.42.0364	12	85°	←	20	-	16	65	43	9	M12x1	M5	30	A8xM6	9	40	750mm
TM.43.0364	24	85°	←	20	-	16	65	43	9	M12x1	M5	30	A8xM6	9	40	750mm
TM.42.0564	12	105°	←	20	-	16	65	43	9	M12x1	M8	30	A8xM6	9	40	750mm
TM.43.0564	24	105°	←	20	-	16	65	43	9	M12x1	M5	30	A8xM6	9	40	750mm
TM.42.0685	12	108°	←	20	-	-	87	57	14	M12x1	M8	50	A8xM6	9	40	750mm
TM.42.0785	12	115°	←	-	6	-	87	57	55	M12x1	M5	43,5	A8xM6	7	40	750mm
TM.43.0785	24	115°	←	-	6	-	87	57	55	M12x1	M5	43,5	A8xM6	7	40	750mm
TM.43.0785R	24	115°	→	-	6	-	87	57	55	M12x1	M5	43,5	A8xM6	7	40	750mm
TM.40.3727	24	115°	←	20	-	16	65	43	9	M12x1	M5	30	A8xM6	10	40/55	750mm
TM.42.0853R	12	135°	→	6	-	-	53	34	28	M12x1	M8	57	A8xM6	9	40	750mm
TM.42.0864	12	135°	←	20	-	-	65	43	14	M12x1	M8	50	A8xM6	9	40	750mm
Type 319DE - Mod.B (A10xM8)																
TM.42.0418R	12	95°	→	20	-	-	104	80	14	M12x1	M8	50	A10xM8	9	40	750mm
TM.42.0574	12	105°	←	20	20	7	70	46	40	M12x1	M8	50	A10xM8	9	40	750mm
TM.40.3188																

WIPER MOTORS | TYPE 320

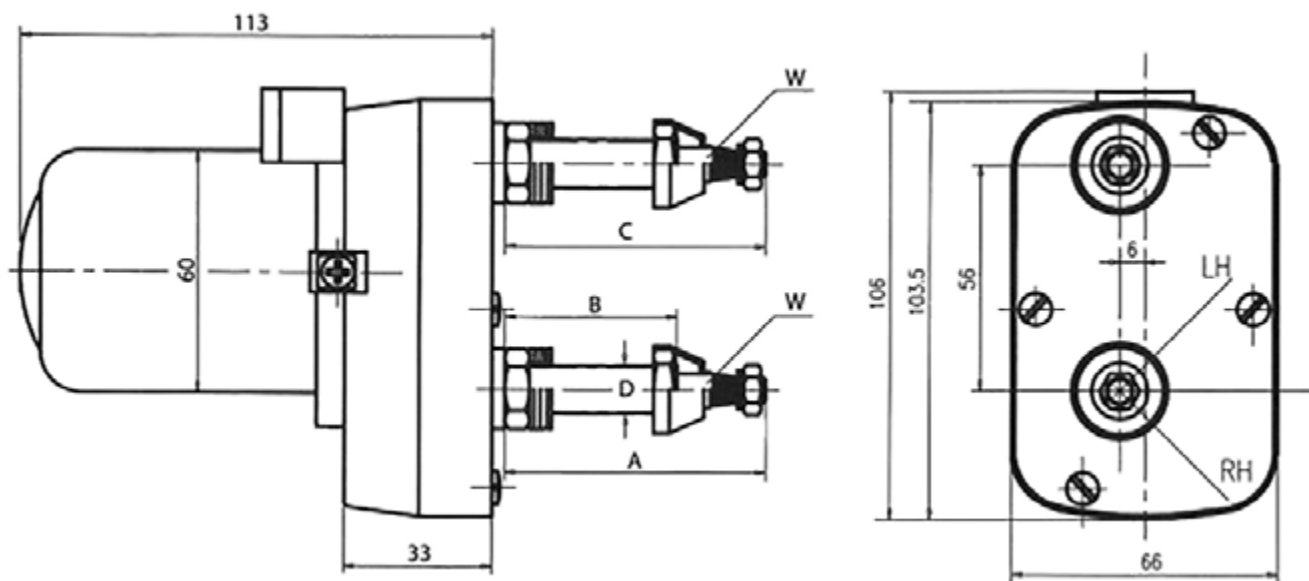
Conical shaft end

Technical specifications

Speeds:	1 speed 40 RPM
Automatic stop:	Yes
EMC filter:	Yes
Thermal cutoff:	No
Switch:	No
Earth-insulated:	Yes
Starting torque (Ma):	12,0 Nm
Nominal torque (Md):	1,8 Nm
Consumption:	12V: 1,0A 24V: 0,8A

Cross-referencing SWF

TM.30.0364R	403 262
TM.31.0164	403 068
TM.31.0164R	403 067
TM.31.0264	403 779
TM.31.0264R	403 778
TM.31.0364R	403 263



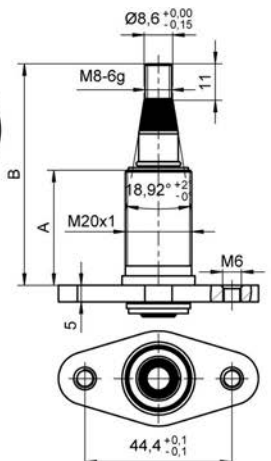
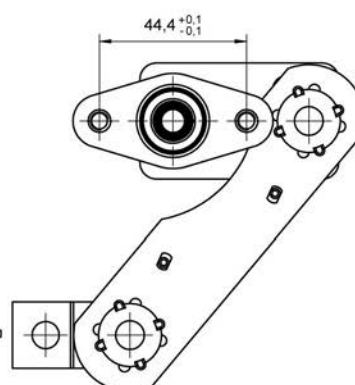
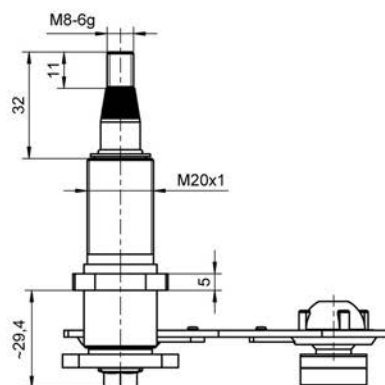
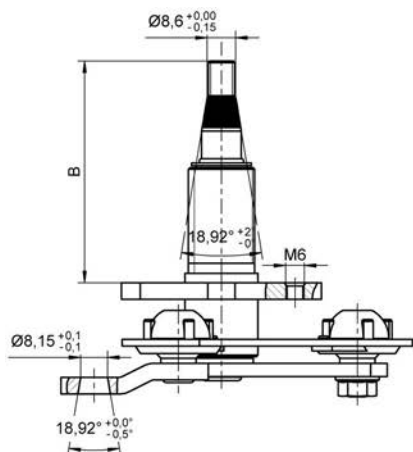
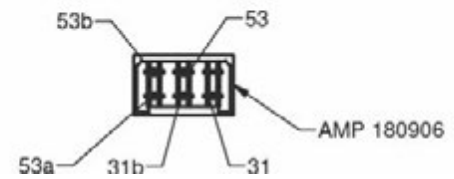
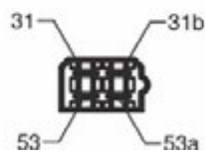
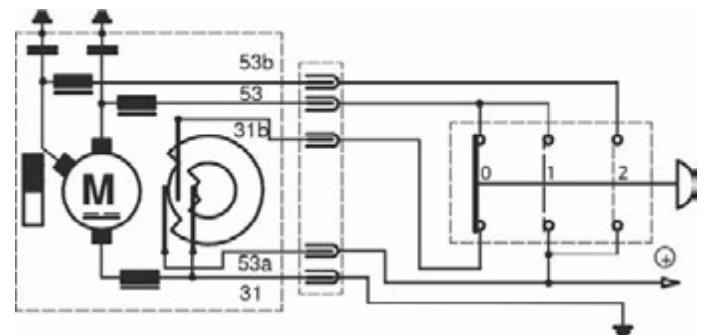
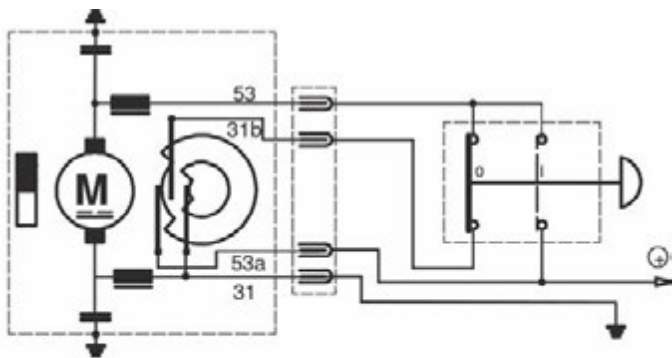
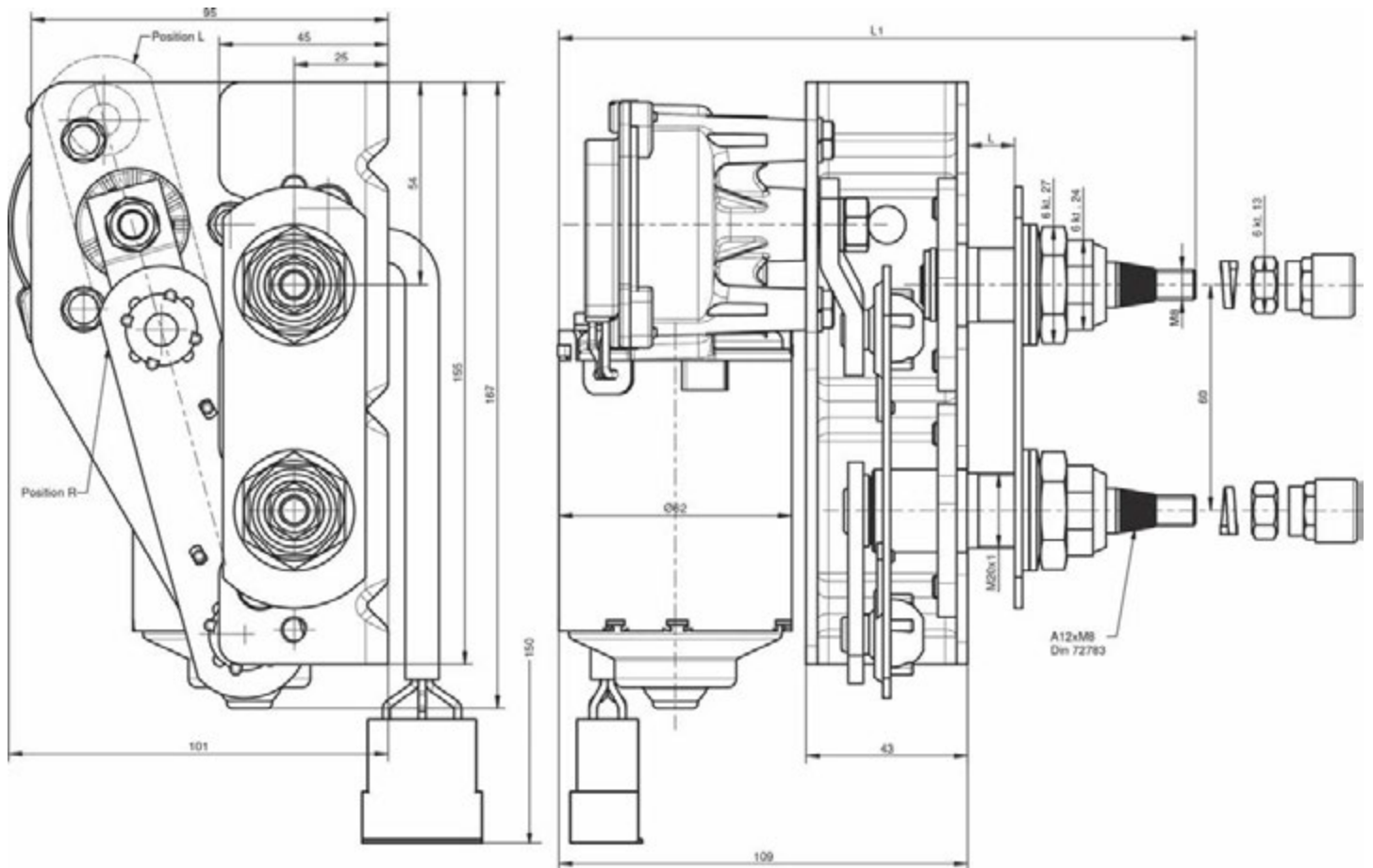
Part number	V	Angle	PP	A (mm)	B (mm)	C (mm)	D	G	W	WD	SN	L[max]
Type 320												
TM.31.0164	24	60°	←	66	45	66	M12x1	57	A8xM6	9	40rpm	750mm
TM.31.0164R	24	60°	→	66	45	66	M12x1	57	A8xM6	9	40rpm	750mm
TM.31.0264	24	75°	←	66	45	66	M12x1	57	A8xM6	9	40rpm	750mm
TM.31.0264R	24	75°	→	66	45	66	M12x1	57	A8xM6	9	40rpm	750mm
TM.30.0364R	12	85°	→	66	45	66	M12x1	57	A8xM6	9	40rpm	750mm
TM.31.0364R	24	85°	→	66	45	66	M12x1	57	A8xM6	9	40rpm	750mm

Part numbers in black : items available from stock.

Part numbers in grey : limited availability or manufactured on demand: please contact us.

WIPER MOTORS | TYPE 411

Conical shaft end



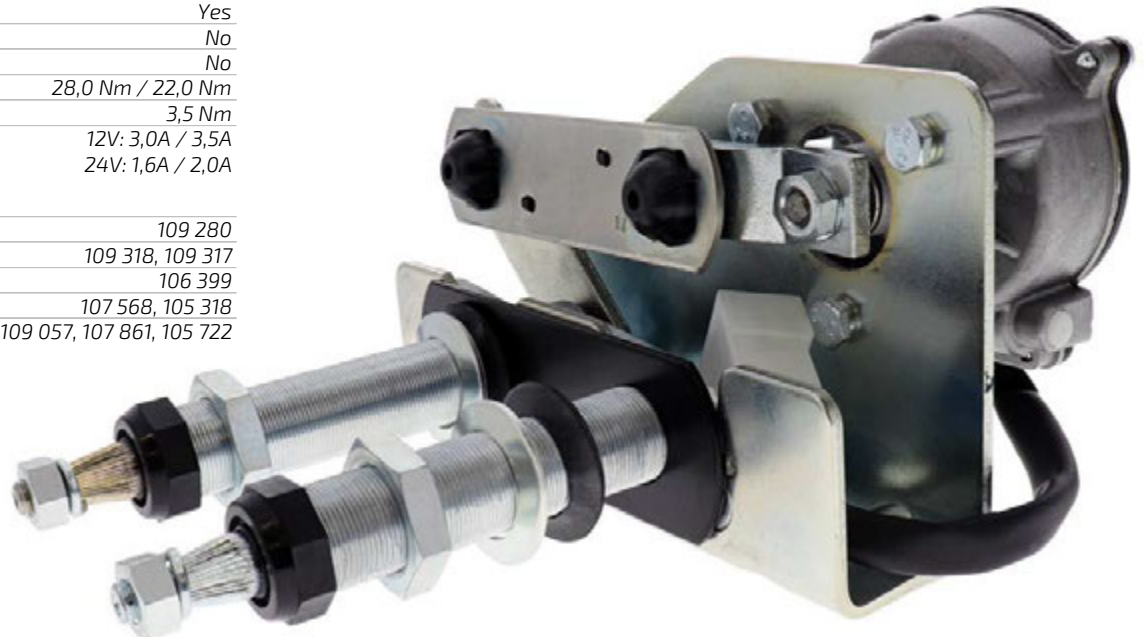
WIPER MOTORS | TYPE 411

Conical shaft end

Technical specifications

Adjustable wiping angle: (L[<i>max</i>])	60° – 110°
Speeds:	1 or 2 speeds 30 / 45 ±5 RPM
Automatic stop:	Yes
EMC filter:	Yes
Thermal cutoff:	No
Switch:	No
Starting torque (Ma):	28,0 Nm / 22,0 Nm
Nominal torque (Md):	3,5 Nm
Consumption:	12V: 3,0A / 3,5A 24V: 1,6A / 2,0A

Type-411 pantographic wiper motors provide a starting torque of 28Nm, making them particularly suitable for heavy duty applications.
Type-411 motors can be positioned both under the windshield or above it.



Cross-referencing SWF

TM.98.6783	109 280
TM.98.6786	109 318, 109 317
TM.98.9116	106 399
TM.99.6783	107 568, 105 318
TM.99.6786	109 057, 107 861, 105 722

Part number	V	Angle	PP	A (mm)	B (mm)	L (mm)	L1 (mm)	D	G	W	WD	SN	L[<i>max</i>]
Type 411 - adjustable wiping angle 60° / 70° / 80° (preset value)													
TM.98.6783	12	70°	–	80	30	30	193	M20x1	60	A12xM8	11	30/45rpm	1050mm
TM.98.6786	12	70°	–	110	60	60	223	M20x1	60	A12xM8	11	30/45rpm	1050mm
TM.99.6781	24	70°	–	60	10	10	173	M20x1	60	A12xM8	11	30/45rpm	1050mm
TM.99.6783	24	70°	–	80	30	30	193	M20x1	60	A12xM8	11	30/45rpm	1050mm
TM.99.6786	24	70°	–	110	60	60	223	M20x1	60	A12xM8	11	30/45rpm	1050mm
TM.98.6781	12	80°	–	60	10	10	173	M20x1	60	A12xM8	11	30/45rpm	1010mm
TM.98.8489	12	80°	–	80	30	30	193	M20x1	60	A12xM8	8	30rpm	1010mm
Type 411 - adjustable wiping angle 90° / 100° / 110° (preset value)													
TM.98.9111	12	90°	–	60	10	10	173	M20x1	60	A12xM8	11	30/45rpm	925mm
TM.98.9113	12	90°	–	80	30	30	193	M20x1	60	A12xM8	11	30/45rpm	925mm
TM.98.9116	12	90°	–	110	60	60	223	M20x1	60	A12xM8	11	30/45rpm	925mm
TM.99.9111	24	90°	–	60	10	10	173	M20x1	60	A12xM8	11	30/45rpm	925mm
TM.99.9113	24	90°	–	80	30	30	193	M20x1	60	A12xM8	11	30/45rpm	925mm
TM.99.9116	24	90°	–	110	60	60	223	M20x1	60	A12xM8	11	30/45rpm	925mm
Type 411 - fixed wiping angle													
TM.98.7061	12	70°	–	110	60	60	223	M20x1	60	A12xM8	8	30rpm	1050mm

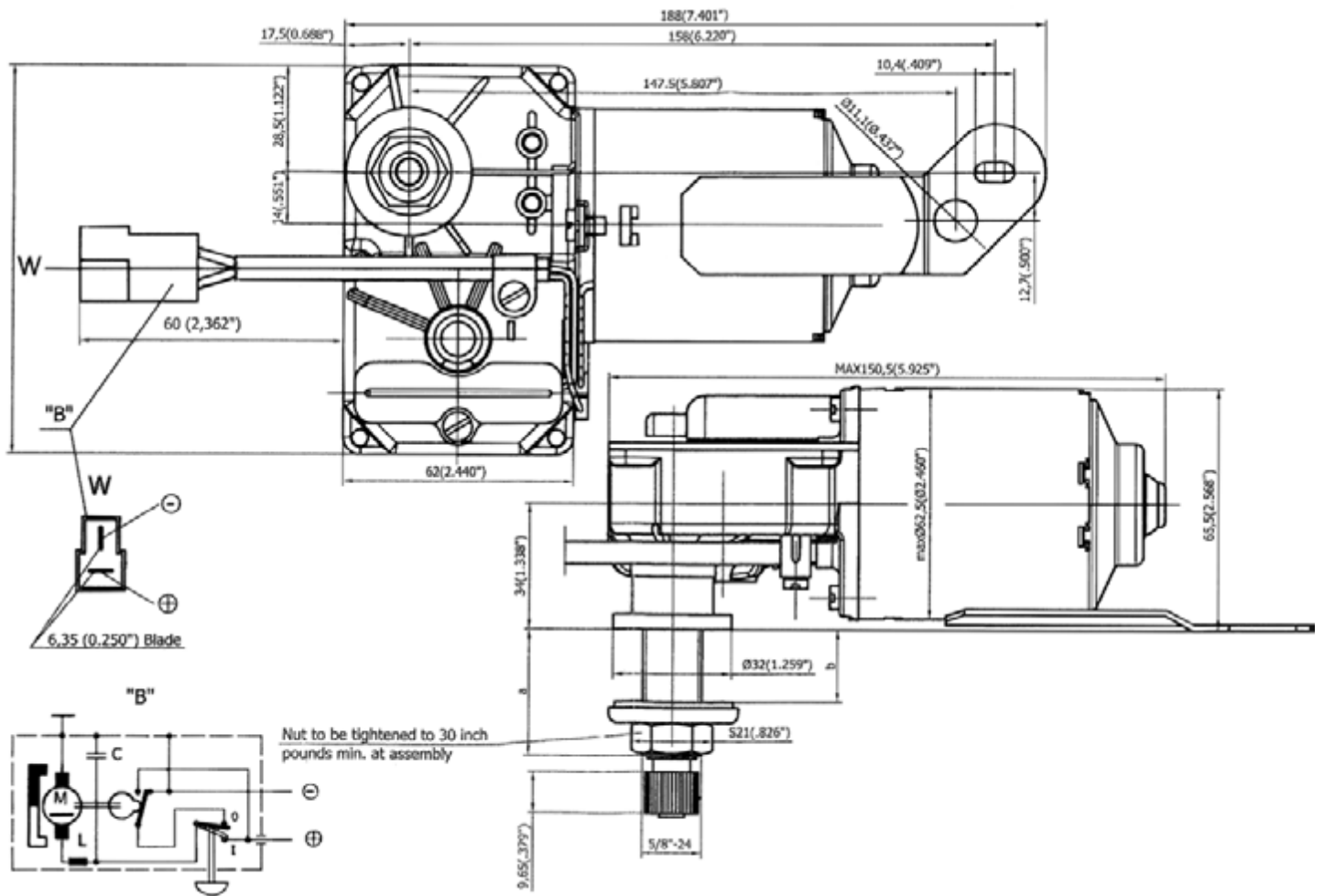
Part number	Description	A (mm)	B (mm)
Main shafts			
TM.90.3204	Adjustable main shaft for Type-411 wiper motors (60° / 70° / 80°)	63,5	34,5
TM.90.3214	Adjustable main shaft for Type-411 wiper motors (60° / 70° / 80°)	83,5	54,5
TM.90.3224	Adjustable main shaft for Type-411 wiper motors (60° / 70° / 80°)	113,5	84,5
TM.90.3213	Adjustable main shaft for Type-411 wiper motors (90° / 100° / 110°)	83,5	54,5
TM.90.3223	Adjustable main shaft for Type-411 wiper motors (90° / 100° / 110°)	113,5	84,5
Secondary shafts			
TM.90.3206	Secondary shaft	63,5	34,5
TM.90.3216	Secondary shaft	83,5	54,5
TM.90.3226	Secondary shaft	113,5	84,5
Nuts & bolts			
TM.90.3208	Nuts & bolts kit for 1 shaft		

Part numbers in black : items available from stock.

Part numbers in grey : limited availability or manufactured on demand: please contact us.

WIPER MOTORS | TYPE 448 - NORTH AMERICAN

Specifically developed for North-American vehicles (USA & Canada)



WIPER MOTORS | TYPE 448 - NORTH AMERICAN

Specifically developed for North-American vehicles (USA & Canada)

Technical specifications

Speeds:	1 speed 50 RPM
Automatic stop:	Yes
Switch:	Yes
Starting torque (Ma):	10,0 Nm 88 in.lbs
Nominal torque (Md):	1,80 Nm 16 in.lbs
Starting consumption:	16,5A
Nominal consumption:	2,5A
Weight:	1,4 kg 3 lbs



Part number	V	Angle	Parking	Shaft length	UT X-Ref	L[max]
Type 448						
TM.448.1232	12	65°	←	1"	12C-19-1010	730mm
TM.448.1252	12	65°	←	2"	12C-19-1020	730mm
TM.448.1233	12	85°	←	1"	12C-19-210	730mm
TM.448.1293	12	85°	←	1,25"	-	730mm
TM.448.1293R	12	85°	→	1,25"	-	730mm
TM.448.1253	12	85°	←	2"	12C-19-220	730mm
TM.448.1253R	12	85°	→	2"	-	730mm
TM.448.2453	24	85°	←	2"	24C-10-220	730mm
TM.448.1234	12	110°	←	1"	12C-19-710	730mm
TM.488.1294R	12	110°	→	1,25"	-	730mm

Part number	Description
Nuts & bolts	
TM.448.WSHKIT	Type 448 motors shaft end kit

Part number	Description	Length	Blades
Type 22 / 27 Adjustable wiper arms			
TM.22.1216	Adjustable wiper arm	12" to 16"	TM.20.-
TM.27.1216	Adjustable wiper arm	12" to 16"	TM.25.-
TM.22.1419	Adjustable wiper arm	14" to 19"	TM.20.-
Type 24 Pantographic wiper arms			
TM.24.1200	Pantographic wiper arm	12"	TM.25.-
TM.24.1400	Pantographic wiper arm	14"	TM.25.-
TM.24.1600	Pantographic wiper arm	16"	TM.25.-
TM.24.1800	Pantographic wiper arm	18"	TM.25.-
TM.24.2000	Pantographic wiper arm	20"	TM.25.-

Part number	Description	Length	Arms
Type 20 Flat blades			
TM.20.1400	Flat wiper blade	14"	TM.22.-
TM.20.1600	Flat wiper blade	16"	TM.22.-
TM.20.1800	Flat wiper blade	18"	TM.22.-
TM.20.2000	Flat wiper blade	20"	TM.22.-
Type 25 Bridged wiper blades			
TM.25.1400	Bridge wiper blade	14"	TM.24.- & TM.27.-
TM.25.1600	Bridge wiper blade	16"	TM.24.- & TM.27.-
TM.25.1800	Bridge wiper blade	18"	TM.24.- & TM.27.-
TM.25.2000	Bridge wiper blade	20"	TM.24.- & TM.27.-

Part numbers in black : items available from stock.

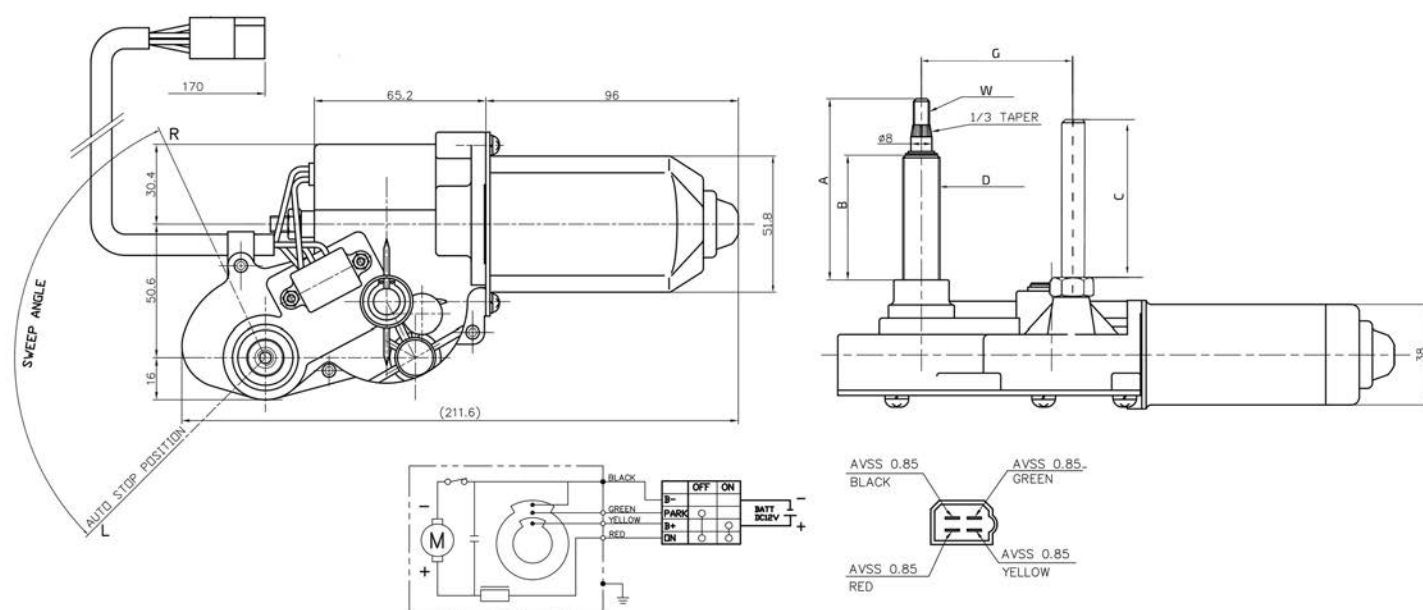
Part numbers in grey : limited availability or manufactured on demand: please contact us.

WIPER MOTORS | TYPE 516 MOD.A

Conical shaft end

Technical specifications

Speeds	1 speed 42±6 RPM
Automatic stop:	Yes
Switch:	No
Thermal cutoff:	Yes
EMC filter:	Yes
Starting torque (Ma):	13,0 Nm
Nominal torque (Md):	2,0 Nm
Consumption:	12V: 2,0A 24V: 1,5A
CE certification:	EN IEC 61000-6-2:2019 EN IEC 61000-6-4:2019



Part number	V	Angle	PP	Switch	A (mm)	B (mm)	C (mm)	D	F	G	W	WD	L[max]
Type 516 - Mod.A (A10xM8 M16)													
TM.64.0169	12	70°	←	-	69	48	55	M16	M8	57	A10xM8	4	825mm
TM.64.0169R	12	70°	→	-	69	48	55	M16	M8	57	A10xM8	4	825mm
TM.65.0169	24	70°	←	-	69	48	55	M16	M8	57	A10xM8	4	825mm
TM.65.0169R	24	70°	→	-	69	48	55	M16	M8	57	A10xM8	4	825mm
TM.64.0269	12	80°	←	-	69	48	55	M16	M8	57	A10xM8	4	750mm
TM.64.0269R	12	80°	→	-	69	48	55	M16	M8	57	A10xM8	4	750mm
TM.65.0269	24	80°	←	-	69	48	55	M16	M8	57	A10xM8	4	750mm
TM.65.0269R	24	80°	→	-	69	48	55	M16	M8	57	A10xM8	4	750mm
TM.64.0469	12	90°	←	-	69	48	55	M16	M8	57	A10xM8	4	720mm
TM.64.0469R	12	90°	→	-	69	48	55	M16	M8	57	A10xM8	4	720mm
TM.65.0469	24	90°	←	-	69	48	55	M16	M8	57	A10xM8	4	720mm
TM.65.0469R	24	90°	→	-	69	48	55	M16	M8	57	A10xM8	4	720mm

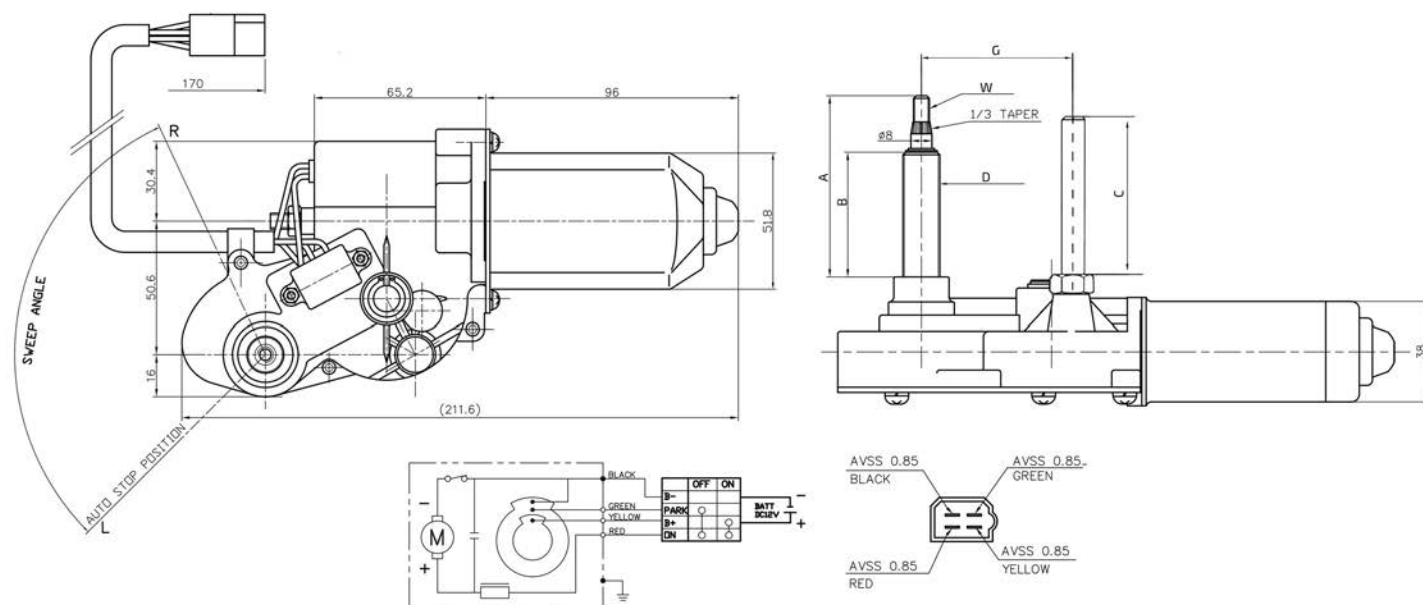
Part number	Description
Type 516: accessories	
TM.64.0100	Gray cover for Type 516 motors
TM.64.0110	Black cover for Type 516 motors
TM.64.0200	Gray cover for Type 516 motors, with switch
TM.64.0210	Black cover for Type 516 motors, with switch
TM.516.M16	Shafts, nuts & bolts kit (M16)

WIPER MOTORS | TYPE 516 MOD.A / WITH SWITCH

Conical shaft end

Technical specifications

Speeds	1 speed 42±6 RPM
Automatic stop:	Yes
Switch:	Yes
Thermal cutoff:	Yes
EMC filter:	Yes
Starting torque (Ma):	13,0 Nm
Nominal torque (Md):	2,0 Nm
Consumption:	12V: 2,0A 24V: 1,5A
CE certification:	EN IEC 61000-6-2:2019 EN IEC 61000-6-4:2019



Part number	V	Angle	PP	Switch	A (mm)	B (mm)	C (mm)	D	F	G	W	WD	L[<i>max</i>]
Type 516 - Mod.A (A10xM8 M16)													
TM.64.0167	12	70°	←	✓	69	48	55	M16	M8	57	A10xM8	4	825mm
TM.64.0167R	12	70°	→	✓	69	48	55	M16	M8	57	A10xM8	4	825mm
TM.65.0167	24	70°	←	✓	69	48	55	M16	M8	57	A10xM8	4	825mm
TM.65.0167R	24	70°	→	✓	69	48	55	M16	M8	57	A10xM8	4	825mm
TM.64.0267	12	80°	←	✓	69	48	55	M16	M8	57	A10xM8	4	750mm
TM.64.0267R	12	80°	→	✓	69	48	55	M16	M8	57	A10xM8	4	750mm
TM.65.0267	24	80°	←	✓	69	48	55	M16	M8	57	A10xM8	4	750mm
TM.65.0267R	24	80°	→	✓	69	48	55	M16	M8	57	A10xM8	4	750mm
TM.64.0467	12	90°	←	✓	69	48	55	M16	M8	57	A10xM8	4	720mm
TM.64.0467R	12	90°	→	✓	69	48	55	M16	M8	57	A10xM8	4	720mm
TM.65.0467	24	90°	←	✓	69	48	55	M16	M8	57	A10xM8	4	720mm
TM.65.0467R	24	90°	→	✓	69	48	55	M16	M8	57	A10xM8	4	720mm

Part number	Description
Type 516: accessories	
TM.516.M16	Shafts, nuts & bolts kit (M16)

Part numbers in black : items available from stock.

Part numbers in grey : limited availability or manufactured on demand: please contact us.

WIPER MOTORS | TYPE 516 MOD.B

Conical shaft end

Technical specifications

Speeds	1 speed 42±6 RPM
Automatic stop:	Yes
Switch:	No
Thermal cutoff:	Yes
EMC filter:	Yes
Starting torque (Ma):	13,0 Nm
Nominal torque (Md):	2,0 Nm
Consumption:	12V: 2,0A 24V: 1,5A
CE certification:	EN IEC 61000-6-2:2019 EN IEC 61000-6-4:2019



Part number	V	Angle	PP	Switch	A (mm)	B (mm)	C (mm)	D	F	G	W	WD	L[max]
Type 516 - Mod.B (A8xM6 M16)													
TM.64.1169	12	70°	←	-	69	48	55	M16	M8	57	A8xM6	4	825mm
TM.64.1169R	12	70°	→	-	69	48	55	M16	M8	57	A8xM6	4	825mm
TM.65.1169	24	70°	←	-	69	48	55	M16	M8	57	A8xM6	4	825mm
TM.65.1169R	24	70°	→	-	69	48	55	M16	M8	57	A8xM6	4	825mm
TM.64.1269	12	80°	←	-	69	48	55	M16	M8	57	A8xM6	4	750mm
TM.64.1269R	12	80°	→	-	69	48	55	M16	M8	57	A8xM6	4	750mm
TM.65.1269	24	80°	←	-	69	48	55	M16	M8	57	A8xM6	4	750mm
TM.65.1269R	24	80°	→	-	69	48	55	M16	M8	57	A8xM6	4	750mm
TM.64.1369	12	85°	←	-	69	48	55	M16	M8	57	A8xM6	4	750mm
TM.64.1369R	12	85°	→	-	69	48	55	M16	M8	57	A8xM6	4	750mm
TM.65.1369	24	85°	←	-	69	48	55	M16	M8	57	A8xM6	4	750mm
TM.65.1369R	24	85°	→	-	69	48	55	M16	M8	57	A8xM6	4	750mm
TM.64.1469	12	90°	←	-	69	48	55	M16	M8	57	A8xM6	4	720mm
TM.64.1469R	12	90°	→	-	69	48	55	M16	M8	57	A8xM6	4	720mm
TM.65.1469	24	90°	←	-	69	48	55	M16	M8	57	A8xM6	4	720mm
TM.65.1469R	24	90°	→	-	69	48	55	M16	M8	57	A8xM6	4	720mm
TM.64.1869	12	110°	←	-	69	48	55	M16	M8	57	A8xM6	4	690mm
TM.64.1869R	12	110°	→	-	69	48	55	M16	M8	57	A8xM6	4	690mm
TM.65.1869	24	110°	←	-	69	48	55	M16	M8	57	A8xM6	4	690mm
TM.65.1869R	24	110°	→	-	69	48	55	M16	M8	57	A8xM6	4	690mm

Part number	Description
Type 516: accessories	
TM.64.0100	Gray cover for Type 516 motors
TM.64.0110	Black cover for Type 516 motors
TM.64.0200	Gray cover for Type 516 motors, with switch
TM.64.0210	Black cover for Type 516 motors, with switch
TM.516.M16	Shafts, nuts & bolts kit (M16)

WIPER MOTORS | TYPE 516 MOD.B / WITH SWITCH

Conical shaft end

Technical specifications

Speeds	1 speed 42±6 RPM
Automatic stop:	Yes
Switch:	No
Thermal cutoff:	Yes
EMC filter:	Yes
Starting torque (Ma):	13,0 Nm
Nominal torque (Md):	2,0 Nm
Consumption:	12V: 2,0A 24V: 1,5A
CE certification:	EN IEC 61000-6-2:2019 EN IEC 61000-6-4:2019



Part number	V	Angle	PP	Switch	A (mm)	B (mm)	C (mm)	D	F	G	W	WD	L[max]
Type 516 - Mod.B (A8xM6 M16)													
TM.64.1167	12	70°	←	✓	69	48	55	M16	M8	57	A8xM6	2	825mm
TM.64.1167R	12	70°	→	✓	69	48	55	M16	M8	57	A8xM6	2	825mm
TM.65.1167	24	70°	←	✓	69	48	55	M16	M8	57	A8xM6	2	825mm
TM.65.1167R	24	70°	→	✓	69	48	55	M16	M8	57	A8xM6	2	825mm
TM.64.1267	12	80°	←	✓	69	48	55	M16	M8	57	A8xM6	2	750mm
TM.64.1267R	12	80°	→	✓	69	48	55	M16	M8	57	A8xM6	2	750mm
TM.65.1267	24	80°	←	✓	69	48	55	M16	M8	57	A8xM6	2	750mm
TM.65.1267R	24	80°	→	✓	69	48	55	M16	M8	57	A8xM6	2	750mm
TM.64.1367	12	85°	←	✓	69	48	55	M16	M8	57	A8xM6	2	750mm
TM.64.1367R	12	85°	→	✓	69	48	55	M16	M8	57	A8xM6	2	750mm
TM.65.1367	24	85°	←	✓	69	48	55	M16	M8	57	A8xM6	2	750mm
TM.65.1367R	24	85°	→	✓	69	48	55	M16	M8	57	A8xM6	2	750mm
TM.64.1467	12	90°	←	✓	69	48	55	M16	M8	57	A8xM6	2	720mm
TM.64.1467R	12	90°	→	✓	69	48	55	M16	M8	57	A8xM6	2	720mm
TM.65.1467	24	90°	←	✓	69	48	55	M16	M8	57	A8xM6	2	720mm
TM.65.1467R	24	90°	→	✓	69	48	55	M16	M8	57	A8xM6	2	720mm
TM.64.1867	12	110°	←	✓	69	48	55	M16	M8	57	A8xM6	2	690mm
TM.64.1867R	12	110°	→	✓	69	48	55	M16	M8	57	A8xM6	2	690mm
TM.65.1867	24	110°	←	✓	69	48	55	M16	M8	57	A8xM6	2	690mm
TM.65.1867R	24	110°	→	✓	69	48	55	M16	M8	57	A8xM6	2	690mm

Part number	Description
Type 516: accessories	
TM.516.M16	Shafts, nuts & bolts kit (M16)

Part numbers in black : items available from stock.

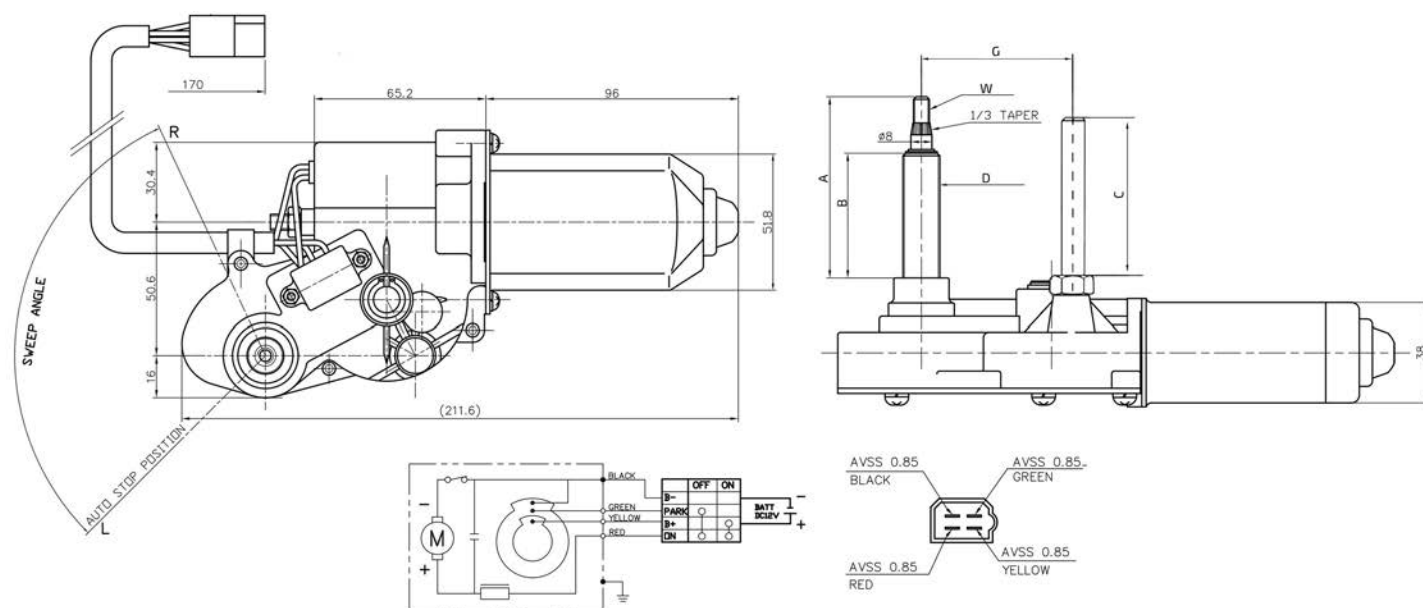
Part numbers in grey : limited availability or manufactured on demand: please contact us.

WIPER MOTORS | TYPE 516 MOD.C

Conical shaft end

Technical specifications

Speeds	1 speed 42±6 RPM
Automatic stop:	Yes
Switch:	No
Thermal cutoff:	Yes
EMC filter:	Yes
Starting torque (Ma):	13,0 Nm
Nominal torque (Md):	2,0 Nm
Consumption:	12V: 2,0A 24V: 1,5A
CE certification:	EN IEC 61000-6-2:2019 EN IEC 61000-6-4:2019



Part number	V	Angle	PP	Switch	A (mm)	B (mm)	C (mm)	D	F	G	W	WD	L[max]
Type 516 - Mod.C (A8xM6 M16)													
TM.64.1259	12	80°	←	-	54	33	40	M16	M8	57	A8xM6	4	750mm
TM.65.1259	24	80°	←	-	54	33	40	M16	M8	57	A8xM6	4	750mm
TM.64.1859	12	110°	←	-	54	33	40	M16	M8	57	A8xM6	4	690mm
TM.65.1859	24	110°	←	-	54	33	40	M16	M8	57	A8xM6	4	690mm

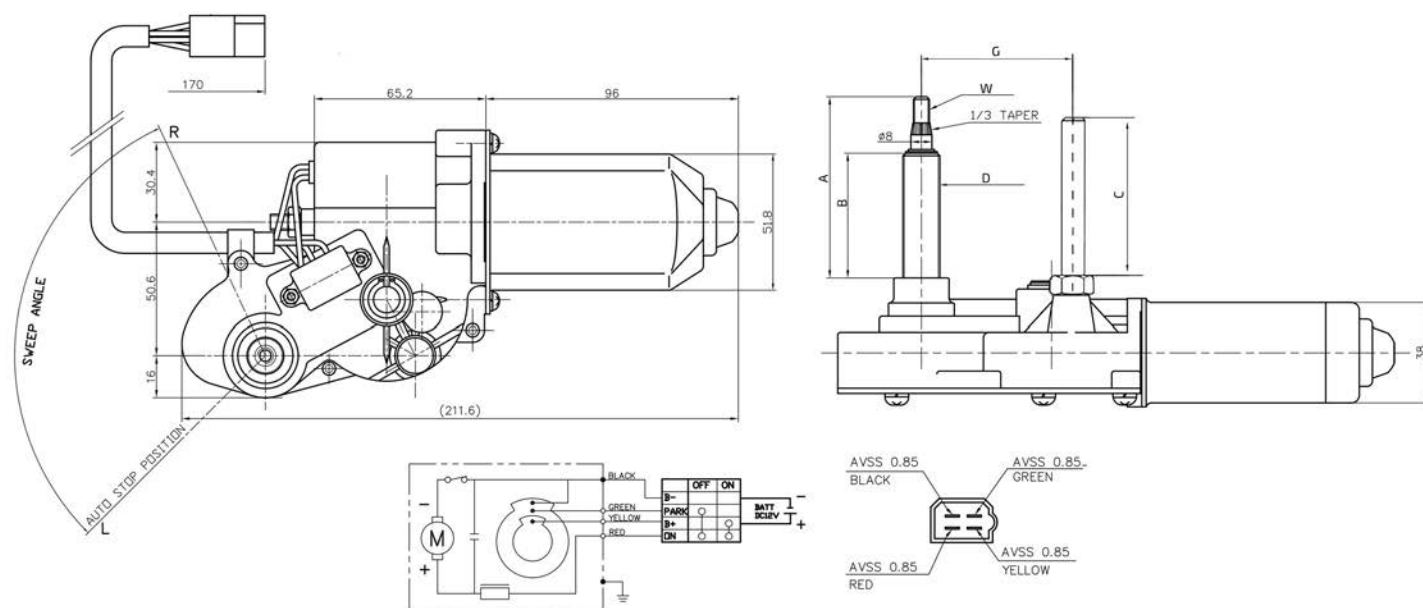
Part number	Description
Type 516: accessories	
TM.64.0100	Gray cover for Type 516 motors
TM.64.0110	Black cover for Type 516 motors
TM.64.0200	Gray cover for Type 516 motors, with switch
TM.64.0210	Black cover for Type 516 motors, with switch
TM.516.M16	Shafts, nuts & bolts kit (M16)

WIPER MOTORS | TYPE 516 MOD.S

Conical shaft end

Technical specifications

Speeds	1 speed 42±6 RPM
Automatic stop:	Yes
Switch:	No
Thermal cutoff:	Yes
EMC filter:	Yes
Starting torque (Ma):	13,0 Nm
Nominal torque (Md):	2,0 Nm
Consumption:	12V: 2,0A 24V: 1,5A
CE certification:	EN IEC 61000-6-2:2019 EN IEC 61000-6-4:2019



Part number	V	Angle	PP	Switch	A (mm)	B (mm)	C (mm)	D	F	G	W	WD	L[max]
Type 516 - Mod.S (A8xM6 M14)													
TM.64.1319	12	85°	←	-	69	48	55	M14	M8	57	A8xM6	4	750mm
TM.64.9319	12	85°	←	-	69	48	55	M14	M8	57	A8xM6	4	750mm
TM.64.9319R	12	85°	→	-	69	48	55	M14	M8	57	A8xM6	4	750mm
TM.64.9819	12	110°	←	-	69	48	55	M14	M8	57	A8xM6	4	690mm

Part number	Description
Type 516: accessories	
TM.64.0100	Gray cover for Type 516 motors
TM.64.0110	Black cover for Type 516 motors
TM.64.0200	Gray cover for Type 516 motors, with switch
TM.64.0210	Black cover for Type 516 motors, with switch
TM.516.M14	Shafts, nuts & bolts kit (M14)

Part numbers in black : items available from stock.

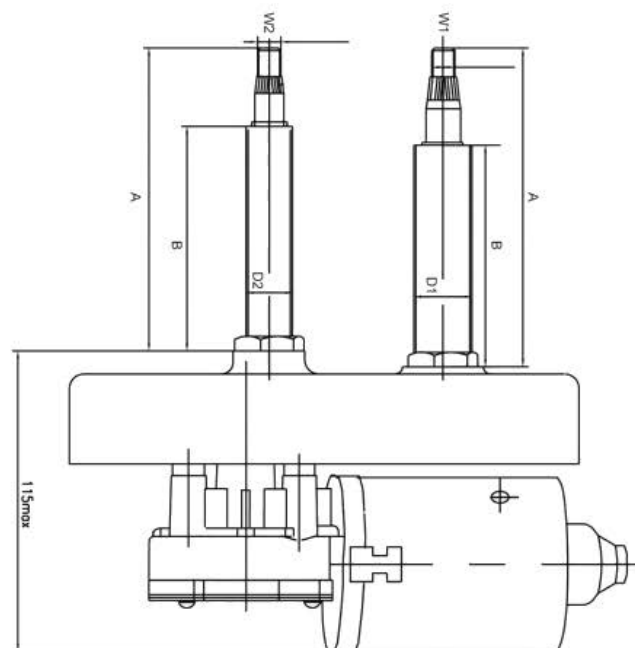
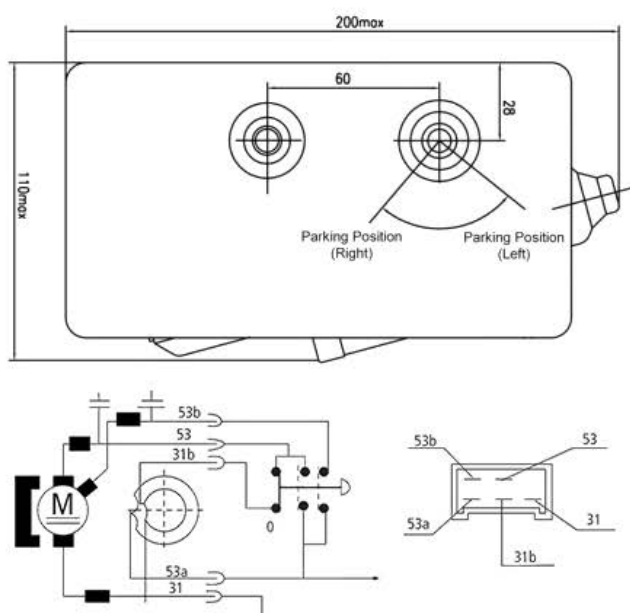
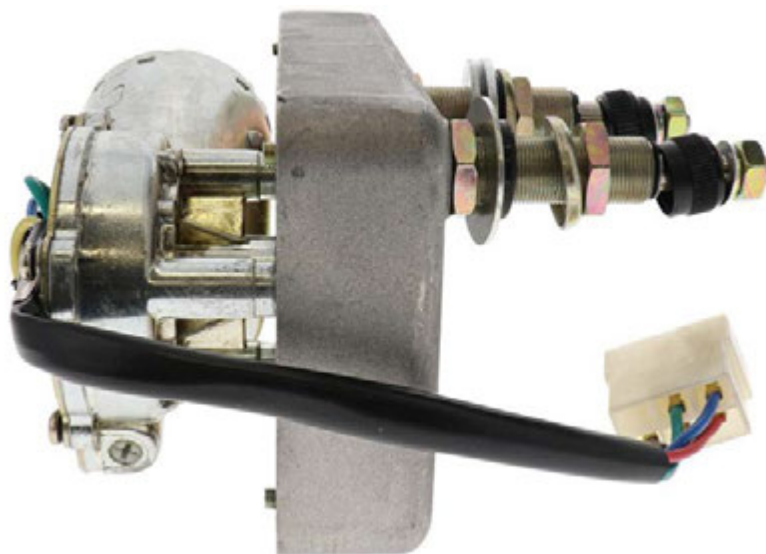
Part numbers in grey : limited availability or manufactured on demand: please contact us.

WIPER MOTORS | TYPE 520

Conical shaft end

Technical specifications

Speeds:	2 speeds (1 on demand)
Automatic stop:	Yes
EMC filter:	Yes
Thermal cutoff:	No
Switch:	No
Starting torque (Ma):	28,0 Nm
Nominal torque (Md):	56,0 Nm
Consumption:	12V: 2,5A 24V: 1,5A



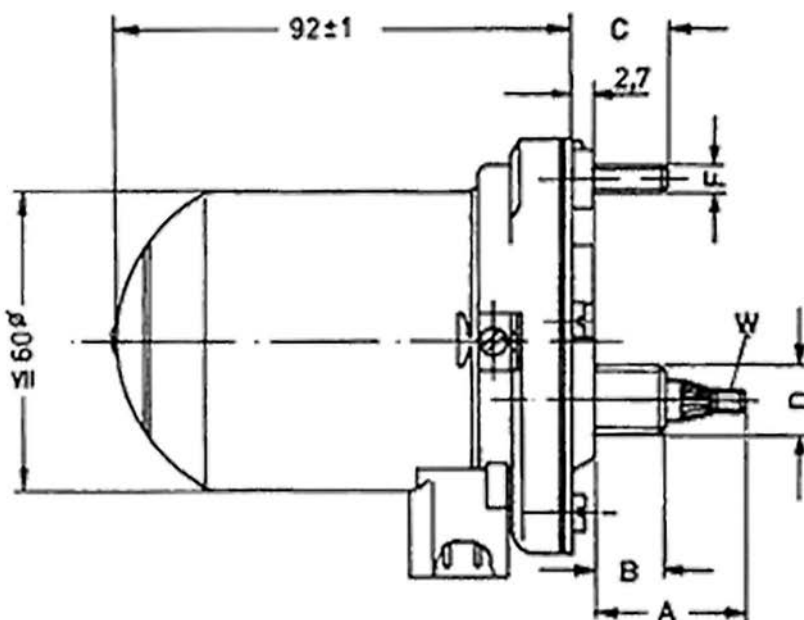
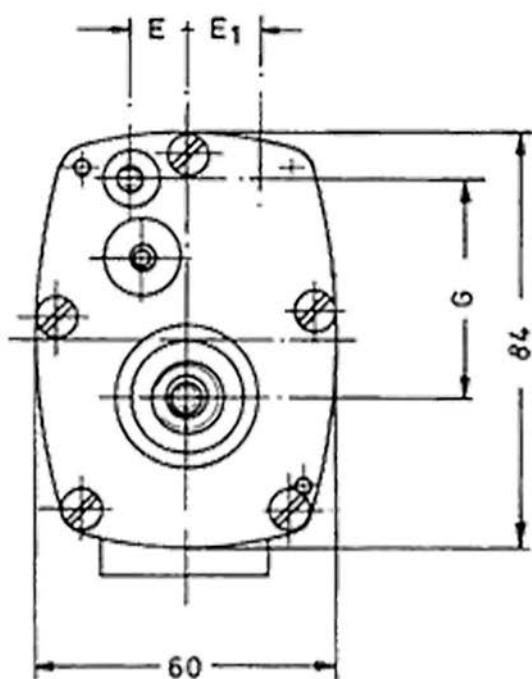
Part number	V	Angle	PP	A (mm)	B (mm)	D1	D2	G	W1	W2	WD	SN	L[max]
Type 520													
TM.93.1132	24	45°	←	80	30	M20x1	M16x1	60	A12xM8	A10xM8	*	43/65rpm	1000mm
TM.93.1132R	24	45°	→	80	30	M20x1	M16x1	60	A12xM8	A10xM8	*	43/65rpm	1000mm
TM.92.1432R	12	70°	→	80	30	M20x1	M16x1	60	A12xM8	A10xM8	*	43/65rpm	1000mm
TM.92.1442	12	70°	←	110	60	M20x1	M16x1	60	A12xM8	A10xM8	*	43/65rpm	1000mm
TM.92.1532R	12	75°	→	80	30	M20x1	M16x1	60	A12xM8	A10xM8	*	43/65rpm	1000mm
TM.93.1532	24	75°	←	80	30	M20x1	M16x1	60	A12xM8	A10xM8	*	43/65rpm	1000mm
TM.92.1632	12	80°	←	80	30	M20x1	M16x1	60	A12xM8	A10xM8	*	43/65rpm	1000mm
TM.92.1632R	12	80°	→	80	30	M20x1	M16x1	60	A12xM8	A10xM8	*	43/65rpm	1000mm
TM.93.1632	24	80°	←	80	30	M20x1	M16x1	60	A12xM8	A10xM8	*	43/65rpm	1000mm
TM.92.1642	12	80°	←	110	60	M20x1	M16x1	60	A12xM8	A10xM8	*	43/65rpm	1000mm
TM.92.1832	12	90°	←	80	30	M20x1	M16x1	60	A12xM8	A10xM8	*	43/65rpm	1000mm
TM.93.1832	24	90°	←	80	30	M20x1	M16x1	60	A12xM8	A10xM8	*	43/65rpm	1000mm
TM.92.1932	12	95°	←	80	30	M20x1	M16x1	60	A12xM8	A10xM8	*	43/65rpm	1000mm
TM.92.1942	12	95°	←	110	60	M20x1	M16x1	60	A12xM8	A10xM8	*	43/65rpm	1000mm
TM.93.1942	24	95°	←	110	60	M20x1	M16x1	60	A12xM8	A10xM8	*	43/65rpm	1000mm

WIPER MOTORS | TYPE 530

Conical shaft end

Technical specifications

Speeds:	1 speed
Automatic stop:	Yes
EMC filter:	Yes
Thermal cutoff:	No
Switch:	No
Starting torque (Ma):	12,0 Nm
Nominal torque (Md):	1,8 Nm
Consumption:	12V: 1,0A



Part number	V	Angle	PP	switch	E (mm)	E1 (mm)	H (mm)	A (mm)	B (mm)	C (mm)	D	F	G	W	WD	SN	L[max]
Type 530																	
TM.36.4820	12	360°	-	A8xM	11	-	-	48	20	18	M14x1	M5	44	A8xM6	7	50rpm	600mm
TM.37.4820	24	360°	-	A8xM	11	-	-	48	20	18	M14x1	M5	44	A8xM6	7	50rpm	600mm

Part numbers in black : items available from stock.

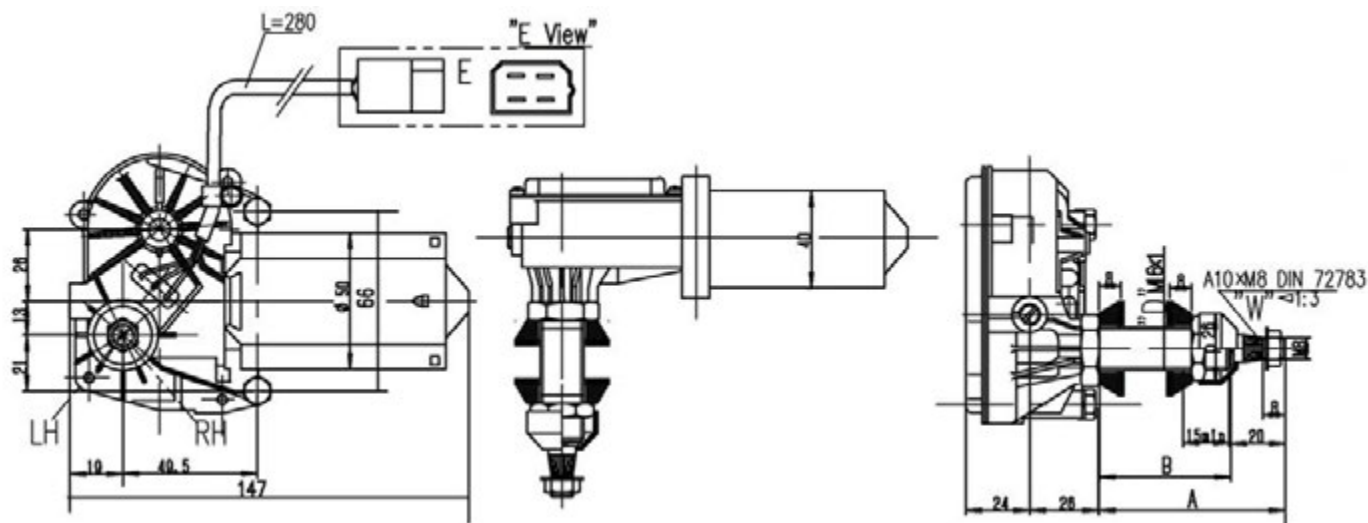
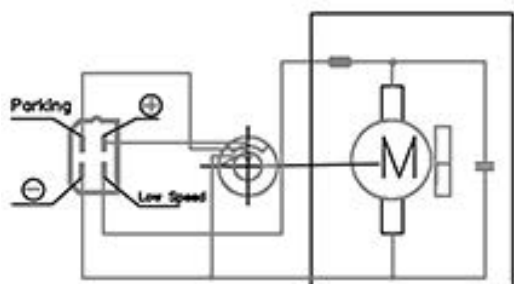
Part numbers in grey : limited availability or manufactured on demand: please contact us.

WIPER MOTORS | TYPE 616

Conical shaft end

Technical specifications

Speeds:	1 or 2 speeds 40±5 RPM 55/40±5 RPM
Automatic stop:	Yes
EMC filter:	Yes
Thermal cutoff:	No
Switch:	No
Starting torque (Ma):	12,0 Nm
Nominal torque (Md):	1,8 Nm
Consumption:	12V: 2,0A 24V: 1,0A



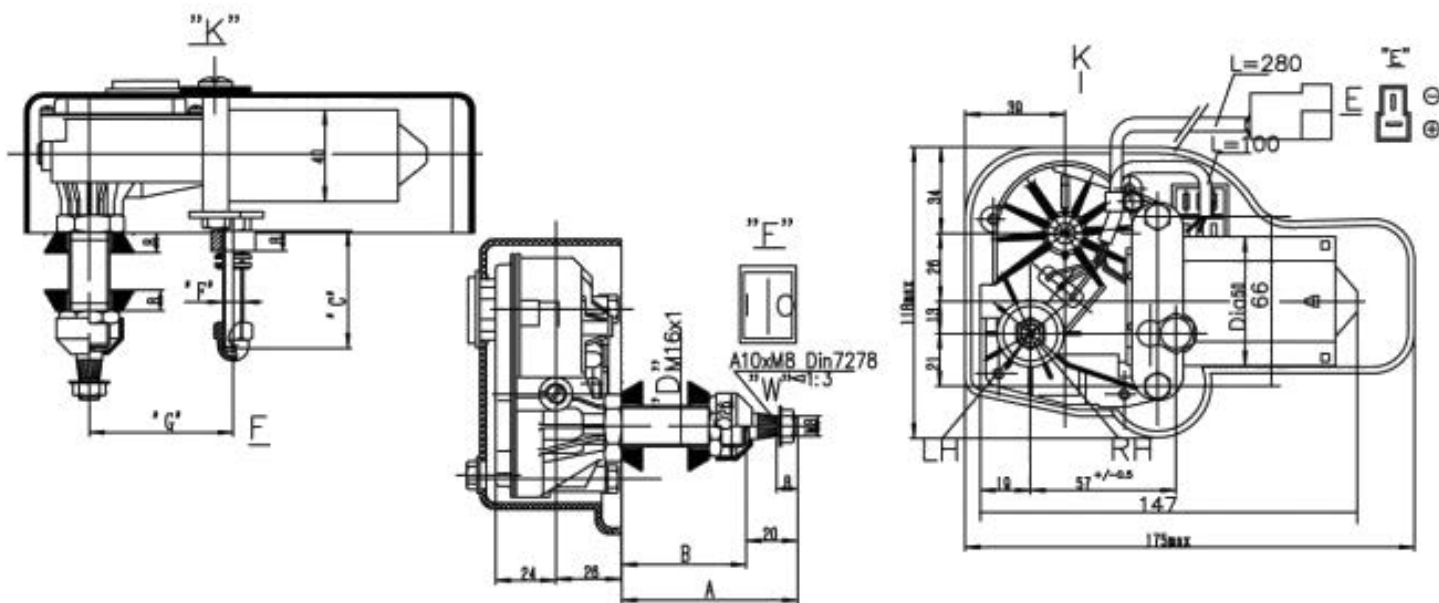
Part number	V	Angle	PP	A (mm)	B (mm)	C (mm)	D	F	G	W	WD	SN	L[max]
Type 616													
TM.54.1269	12	80°	←	69	48	55	M16x1	M8	57	A8xM6	4	40±5 RPM	850mm
TM.54.0329	12	85°	←	56	35	16	M16x1	M8	57	A10xM8	4	40±5 RPM	850mm
TM.54.1469	12	90°	←	69	48	55	M16x1	M8	57	A8xM6	4	40±5 RPM	850mm
TM.54.0429	12	90°	←	56	35	16	M16x1	M8	57	A10xM8	4	40±5 RPM	850mm
TM.54.0469	12	90°	←	69	48	55	M16x1	M8	57	A10xM8	4	40±5 RPM	850mm
TM.54.0669	12	105°	←	69	48	55	M16x1	M8	57	A10xM8	4	40±5 RPM	850mm
TM.54.1869	12	110°	←	69	48	55	M16x1	M8	57	A8xM6	4	40±5 RPM	850mm
TM.54.0829	12	110°	←	56	35	16	M16x1	M8	57	A10xM8	4	40±5 RPM	850mm
TM.54.0869	12	110°	←	69	48	55	M16x1	M8	57	A10xM8	4	40±5 RPM	850mm

WIPER MOTORS | TYPE 616C

Conical shaft end

Technical specifications

Speeds:	1 or 2 speeds 40±5 RPM 40/55±5 RPM
Automatic stop:	Yes
EMC filter:	Yes
Thermal cutoff:	No
Switch:	Variable
Adhesive mask (windshield):	Yes
Starting torque (Ma):	12,0 Nm
Nominal torque (Md):	1,8 Nm
Consumption:	12V: 2,0A



Part number	V	Angle	PP	Switch	A (mm)	B (mm)	C (mm)	F	G	W	WD	SN	L[max]
Type 616C													
TM.56.0327	12	85°	←	✓	58	33	16	M8	57	A10xM8	2	40 RPM	850mm
TM.56.0329	12	85°	←	-	58	33	16	M8	57	A10xM8	4	40 RPM	850mm
TM.56.0427	12	90°	←	✓	58	33	16	M8	57	A10xM8	2	40 RPM	850mm
TM.56.0429	12	90°	←	-	58	33	16	M8	57	A10xM8	4	40 RPM	850mm
TM.56.0827	12	110°	←	✓	58	33	16	M8	57	A10xM8	2	40 RPM	850mm
TM.56.0829	12	110°	←	-	58	33	16	M8	57	A10xM8	4	40 RPM	850mm
TM.56.0927	12	125°	←	✓	58	33	16	M8	57	A10xM8	2	40 RPM	850mm
TM.56.0929	12	125°	←	-	58	33	16	M8	57	A10xM8	4	40 RPM	850mm

Part numbers in black : items available from stock.

Part numbers in grey : limited availability or manufactured on demand: please contact us.

WIPER MOTORS | TYPE 616S

Conical shaft end - special version

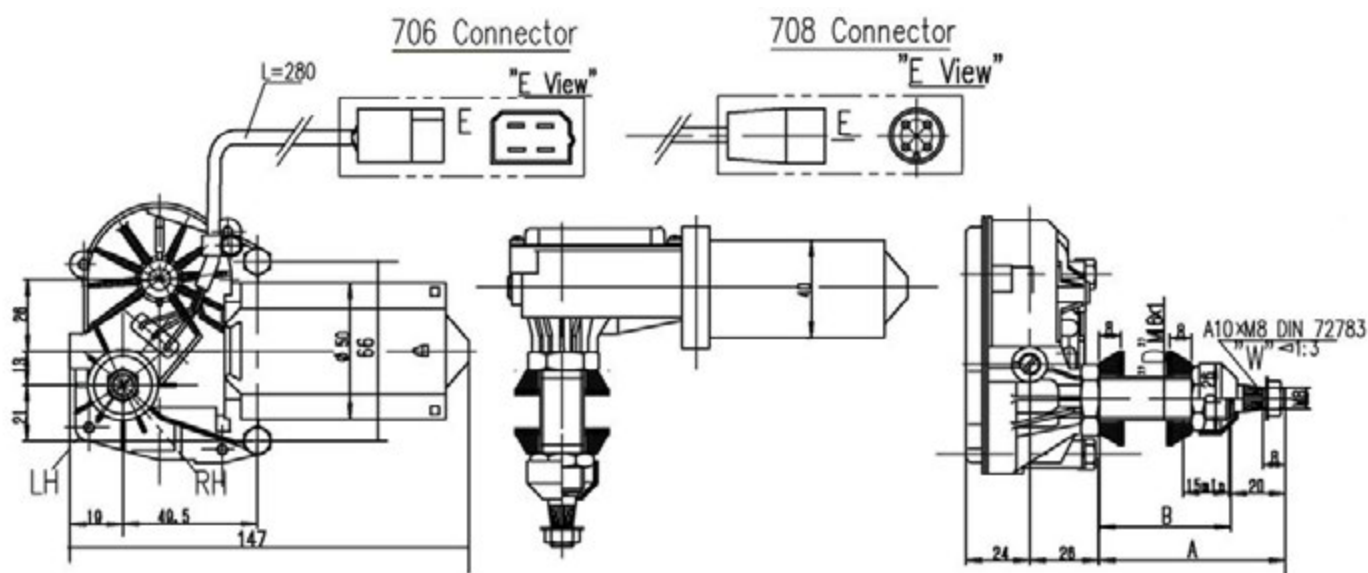
Technical specifications

Speeds:	2 speeds 40/55±5 RPM
Automatic stop:	Yes
EMC filter:	Yes
Thermal cutoff:	No
Switch:	No
Starting torque (Ma):	12,0 Nm
Nominal torque (Md):	1,8 Nm
Consumption:	12V: 2,0A



Fitting

TM.52.1703	John Deere → AL34846
TM.52.1708	John Deere → AL34843 / AL55527
TM.52.1711	Deutz → 0439 8897



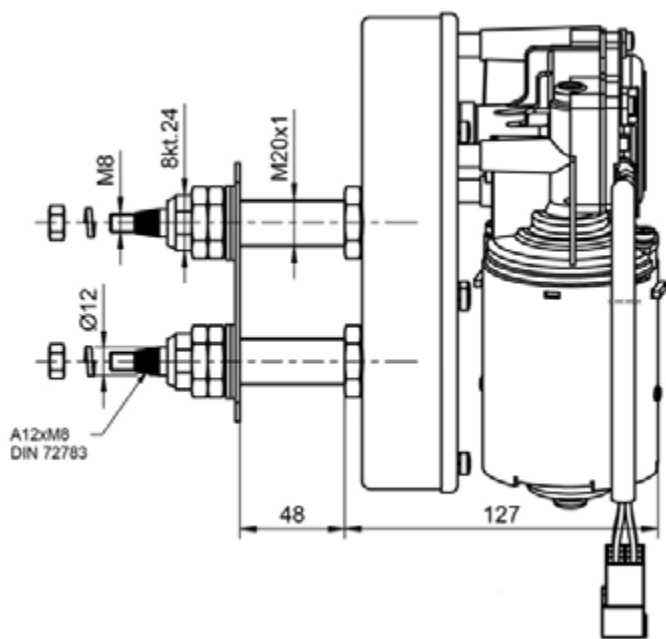
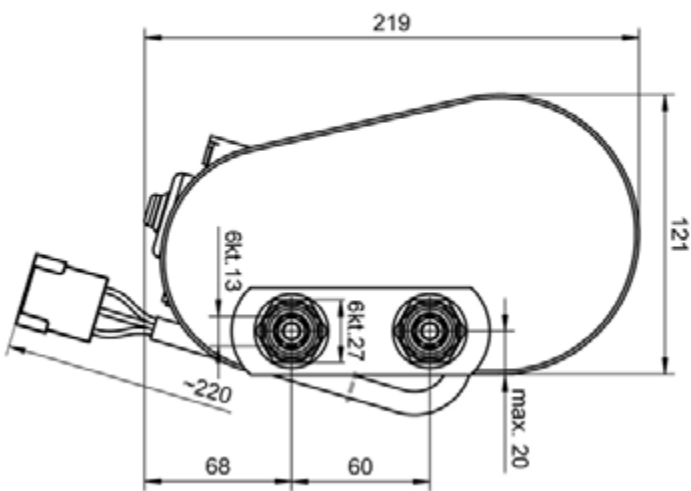
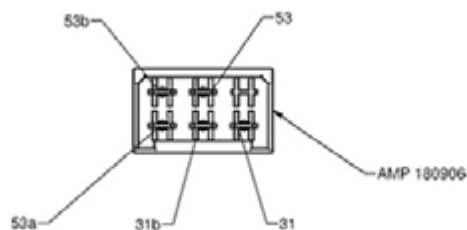
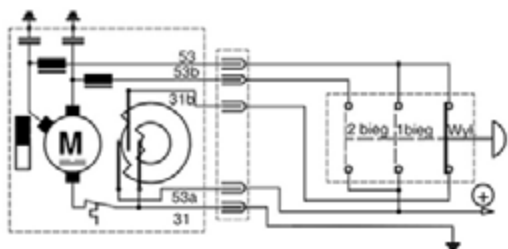
Part number	V	Angle	PP	A (mm)	B (mm)	D	W	WD	SN	L[max]
Type 616S										
TM.52.1703	12	85°	→	37	18	M16x1	A10xM8	706	55/40RPM	850mm
TM.52.1708	12	90°	←	84,5	65	M16x1	A10xM8	708	55/40RPM	850mm
TM.52.1711	12	90°	→	84,5	65	M16x1	A10xM8	706	55/40RPM	850mm
TM.52.1706	12	105°	←	84,5	65	M16x1	A10xM8	706	55/40RPM	850mm

WIPER MOTORS | TYPE 619

Conical shaft end

Technical specifications

Speeds:	2 speeds
Automatic stop:	Yes
EMC filter:	Yes
Thermal cutoff:	Yes
Switch:	No
Starting torque (Ma):	50,0 Nm
Nominal torque (Md):	7.0 Nm
Consumption:	12V: 6,0A / 7,0A 24V: 3,0A / 3,5A



Part number	V	Angle	PP	A (mm)	B (mm)	D	G	W	WD	SN	L[max]
Type 619											
TM.96.0502	12	50°	←	110	48	M20x1	60	A12xM8	11	33/55rpm	1300mm
TM.97.0502	24	50°	←	110	48	M20x1	60	A12xM8	11	33/55rpm	1300mm
TM.97.0502R	24	50°	→	110	48	M20x1	60	A12xM8	11	33/55rpm	1300mm
TM.96.0602	12	60°	←	110	48	M20x1	60	A12xM8	11	33/55rpm	1300mm
TM.97.0602	24	60°	←	110	48	M20x1	60	A12xM8	11	33/55rpm	1300mm
TM.96.0722	12	72°	←	110	48	M20x1	60	A12xM8	11	33/55rpm	1250mm
TM.96.0722R	12	72°	→	110	48	M20x1	60	A12xM8	11	33/55rpm	1250mm
TM.95.0721	24	72°	←	110	48	M20x1	60	A12xM8	4	35rpm	1250mm
TM.97.0722	24	72°	←	110	48	M20x1	60	A12xM8	11	33/55rpm	1250mm
TM.96.0802	12	80°	←	110	48	M20x1	60	A12xM8	11	33/55rpm	1200mm
TM.97.0802	24	80°	←	110	48	M20x1	60	A12xM8	11	33/55rpm	1200mm
TM.96.0902	12	90°	←	110	48	M20x1	60	A12xM8	11	33/55rpm	1150mm
TM.97.0902	24	90°	←	110	48	M20x1	60	A12xM8	11	33/55rpm	1150mm

Part numbers in black : items available from stock.

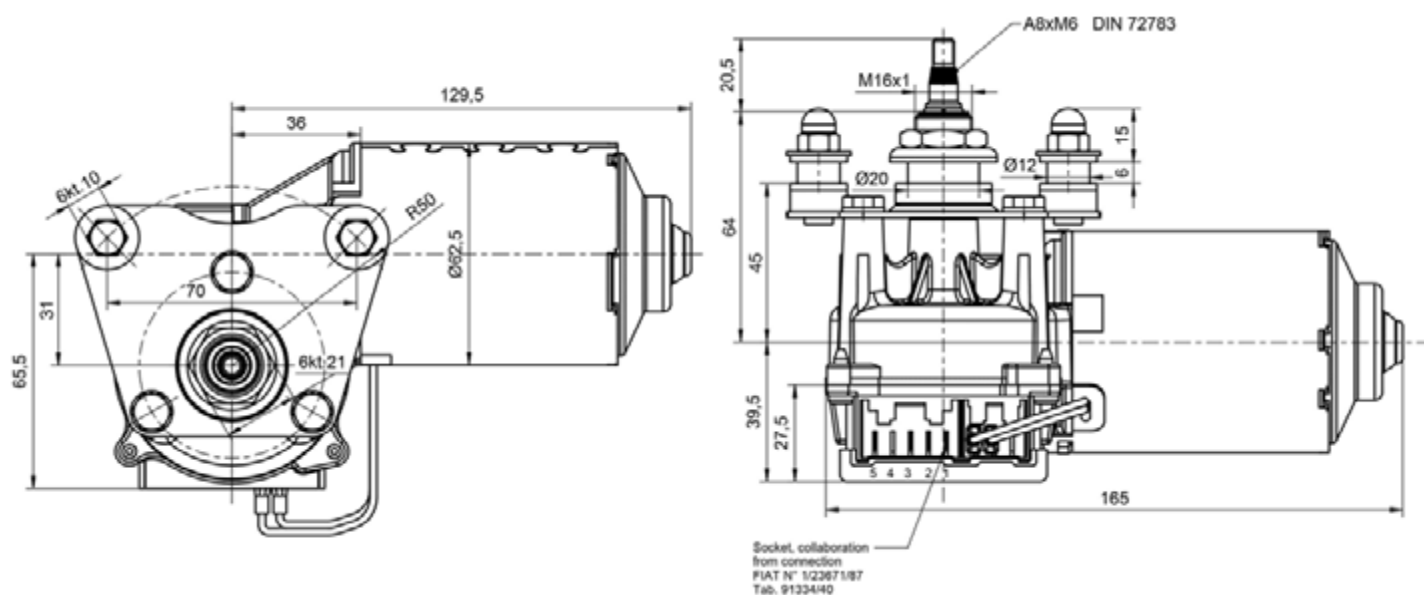
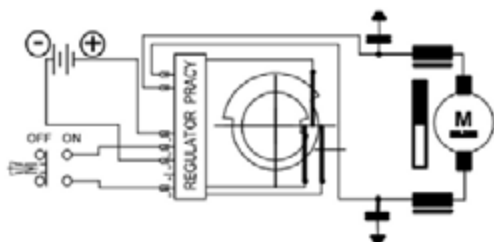
Part numbers in grey : limited availability or manufactured on demand: please contact us.

WIPER MOTORS | TYPE 630

Conical shaft end

Technical specifications

Speeds:	1 speed
Automatic stop:	Yes
EMC filter:	Yes
Thermal cutoff:	No
Switch:	No
Starting torque (Ma):	22,0 Nm
Nominal torque (Md):	4,0 Nm
Consumption:	12V: 2,5A 24V: 1,3A



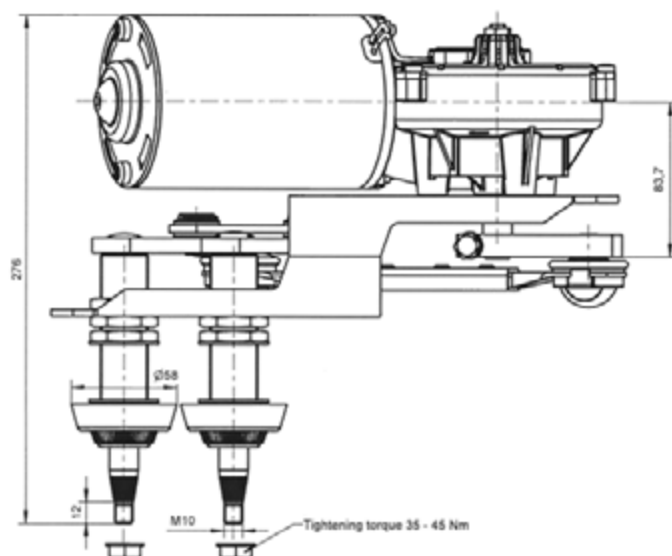
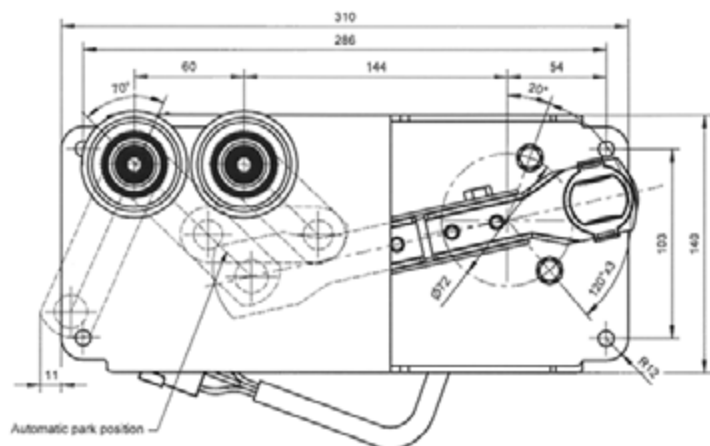
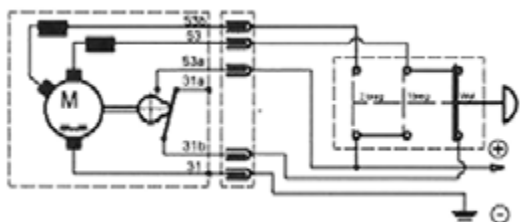
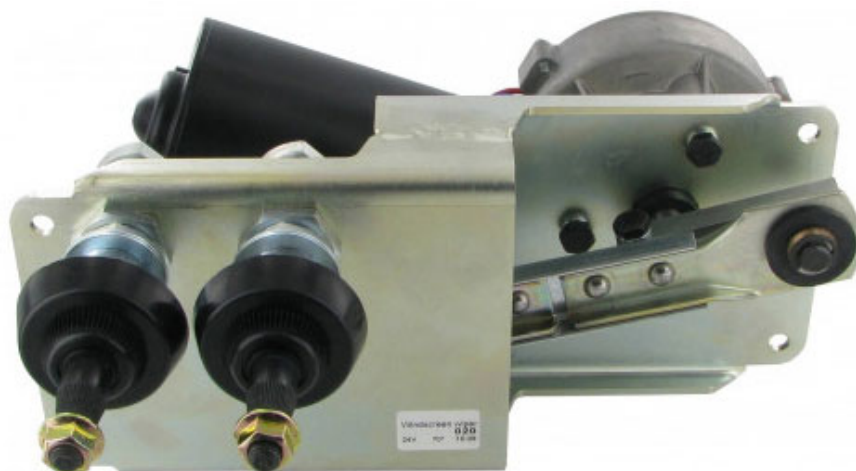
Part number	V	Angle	PP	witclE	(mm)	E1 (mm)	H (mm)	A (mm)	B (mm)	C (mm)	D	D1	D2	F	G	W	WD	SN	L[max]
Type 630																			
TM.50.180	12	180°	←	A8xM	-	-	-	-	-	-	M16x1	45	650	-	-	A8xM6	15	45rpm	650mm
TM.51.180	24	180°	←	A8xM	-	-	-	-	-	-	M16x1	45	650	-	-	A8xM6	15	45rpm	650mm

WIPER MOTORS | TYPE 649

Conical shaft end

Technical specifications

Speeds:	2 speeds
Automatic stop:	Yes
EMC filter:	Yes
Thermal cutoff:	No
Switch:	No
Starting torque (Ma):	100 Nm
Nominal torque (Md):	12,0 Nm
Consumption:	12V: 10A 24V: 5A



Part number	V	Angle	PP	A (mm)	B (mm)	D	D1	D2	G	W	WD	SN	L[max]
Type 649													
TM.72.0603	12	60°	←	113	30	M26x1	20/35	1500 mm	60	A16xM10	2	20/35rpm	1200mm
TM.73.0603	24	60°	←	113	30	M26x1	20/35	1500 mm	60	A16xM10	2	20/35rpm	1200mm
TM.72.0703	12	70°	←	113	30	M26x1	20/35	1500 mm	60	A16xM10	2	20/35rpm	1200mm
TM.73.0703	24	70°	←	113	30	M26x1	20/35	1500 mm	60	A16xM10	2	20/35rpm	1200mm
TM.72.0803	12	80°	←	113	30	M26x1	20/35	1500 mm	60	A16xM10	2	20/35rpm	1200mm
TM.73.0803	24	80°	←	113	30	M26x1	20/35	1500 mm	60	A16xM10	2	20/35rpm	1200mm
TM.72.0903	12	90°	←	113	30	M26x1			60	A16xM10	2	20/35rpm	1200mm
TM.73.0903	24	90°	←	113	30	M26x1			60	A16xM10	2	20/35rpm	1200mm

Part numbers in black : items available from stock.

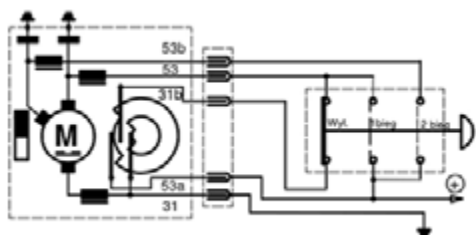
Part numbers in grey : limited availability or manufactured on demand: please contact us.

WIPER MOTORS | 360°

Conical shaft end

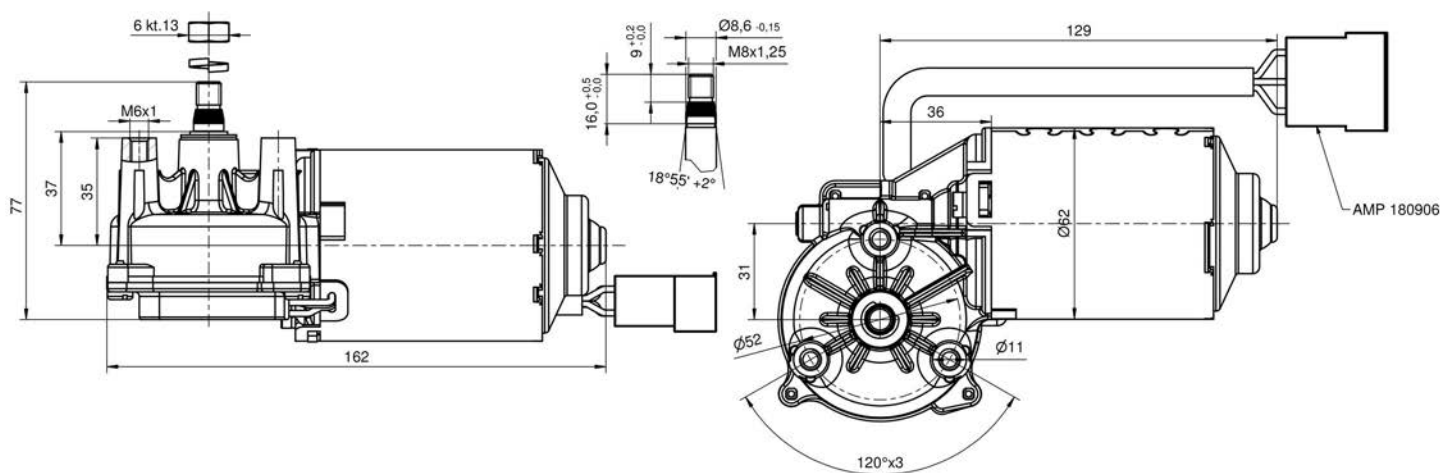
Technical specifications

Speeds:	1 speed
Automatic stop:	Yes
EMC filter:	Yes
Thermal cutoff:	No
Switch:	No
Starting torque (Ma):	22,0 Nm
Nominal torque (Md):	4,0 Nm
Consumption:	12V: 2,5A 24V: 1,3A



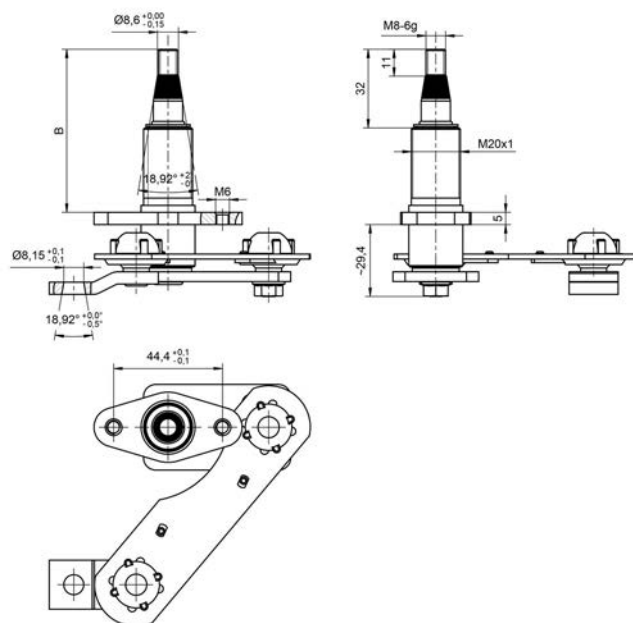
Fitting


TM.408.38	Massey-Ferguson → 3 301 889 M91 Landini → 290190300
TM.432.19	Massey-Ferguson / Landini → 3 385 255 M92



Part number	V	Angle	L[max]
Type 407			
TM.407.12	12	360°	
Type 408A Mounted on Type 411 motor assemblies			
TM.408.38	12	360°	
Type 432 Mounted on Type 619 motor assemblies			
TM.432.19	12	360°	
TM.432.29	24	360°	
Type 470 Mounted on Type 649 motor assemblies			
TM.470.12	12	360°	
TM.470.24	24	360°	

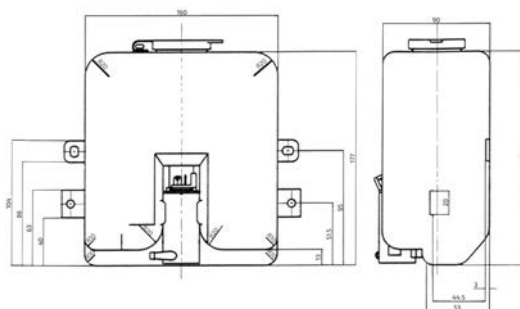
SHAFTS FOR WIPER MOTORS



Part number	Description	A (mm)	B (mm)
Main shafts			
TM.90.3203	Adjustable main shaft 90° / 100° / 110°	63,5	34,5
TM.90.3204	Adjustable main shaft for Type-411 wiper motors (60° / 70° / 80°)	63,5	34,5
TM.90.3213	Adjustable main shaft for Type-411 wiper motors (90° / 100° / 110°)	83,5	54,5
TM.90.3214	Adjustable main shaft for Type-411 wiper motors (60° / 70° / 80°)	83,5	54,5
TM.90.3223	Adjustable main shaft for Type-411 wiper motors (90° / 100° / 110°)	113,5	84,5
TM.90.3224	Adjustable main shaft for Type-411 wiper motors (60° / 70° / 80°)	113,5	84,5
Secondary shafts			
TM.90.3206	Secondary shaft	63,5	34,5
TM.90.3216	Secondary shaft	83,5	54,5
TM.90.3226	Secondary shaft	113,5	84,5
Part number Description 			
Visserie			
TM.90.3208	Nuts & bolts kit for 1 shaft		

WINDSHIELD WASHER CONTAINERS 2,2L - TYPE 02/06

EMC 95/54 EC

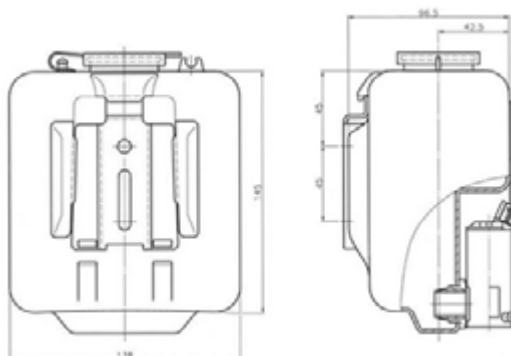


Part number	Volume	Pmps	V
Bulk			
TM.02.0212	2,2L	1	12
TM.02.0224	2,2L	1	24
TM.02.0612	2,2L	2	12
TM.02.0624	2,2L	2	24

Part number	Description
Bulk	
TM.02.06CAP	Cap for washer containers Type 02 / 06 / 12

WINDSHIELD WASHER CONTAINERS 1,25L | TYPE 04

EMC 95/54 EC

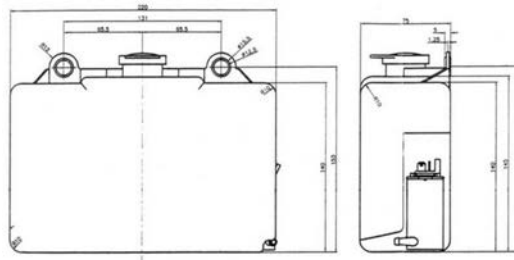


Part number	Volume	Pmps	V
Bulk			
TM.02.0412	1,25L	1	12
TM.02.0424	1,25L	1	24

Part number	Description
Bulk	
TM.02.04FIX	Fixing bracket for washer containers Type 04

WINDSHIELD WASHER CONTAINERS 1,9L | TYPE 05

EMC 95/54 EC

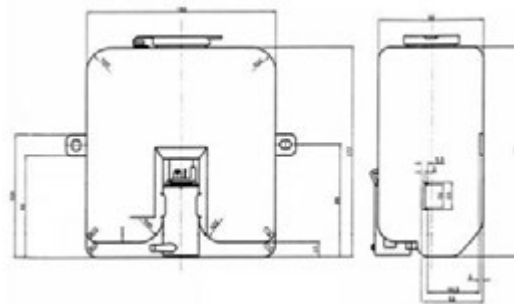


Part number	Volume	Pmps	V
Bulk			
TM.02.0512	1,9L	1	12
TM.02.0524	1,9L	1	24

Part number	Description
Bulk	
TM.02.05CAP	Cap for washer containers Type 05

WINDSHIELD WASHER CONTAINERS 2,2L | TYPE 12

EMC 95/54 EC

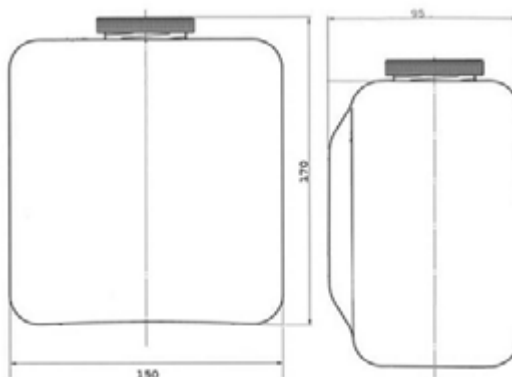


Part number	Volume	Pmps	V
Bulk			
TM.02.1212	2,2L	1	12
TM.02.1224	2,2L	1	24

Part number	Description
Bulk	
TM.02.06CAP	Cap for washer containers Type 02 / 06 / 12

WINDSHIELD WASHER CONTAINERS 2,0L | TYPE 20

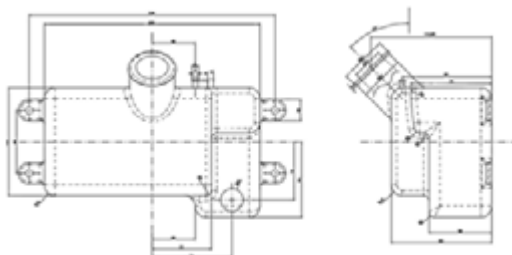
EMC 95/54 EC



Part number	Volume	Pmps	V
Bulk			
TM.02.2012	2,0L	1	12

WINDSHIELD WASHER CONTAINERS 1,4L | TYPE 25

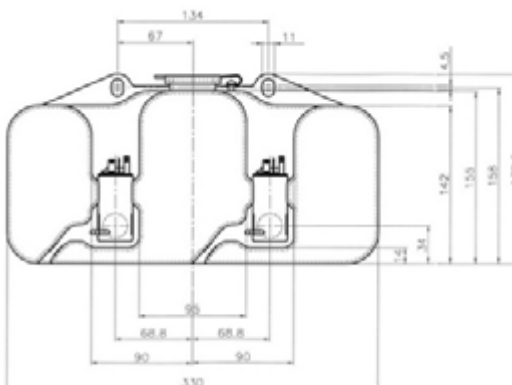
EMC 95/54 EC



Part number	Volume	Pmps	V
Bulk			
TM.02.2512	1,4L	1	12
TM.02.2524	1,4L	1	24

WINDSHIELD WASHER CONTAINERS 4,0L | TYPE 41/42

EMC 95/54 EC



Part number	Volume	Pmps	V
Bulk			
TM.02.4112	4,0L	1	12
TM.02.4124	4,0L	1	24
TM.02.4212	4,0L	2	12
TM.02.4224	4,0L	2	24

WINDSHIELD WASHER NOZZLES



Part number	Description	
Bulk		
TM.02.9002	Dual-jet washer nozzle 30,5mm	1
TM.02.9003	Dual-jet washer nozzle 18,5mm	2

WINDSHIELD WASHER NOZZLE



Part number	Description
Bulk	
TM.02.9008	Dual-jet washer nozzle 11,0mm

WINDSHIELD WASHER NOZZLE



Part number	Description
Bulk	
TM.02.9009	Dual-jet washer nozzle

WINDSHIELD WASHER NOZZLE FOR 8X3MM WIPER ARMS



Part number	Description
Bulk	
TM.02.9012	Washer nozzle for 8x3mm wiper arms

WINDSHIELD WASHER NOZZLE FOR 12X4MM WIPER ARMS



Part number	Description
Bulk	
TM.02.9013	Washer nozzle for 12x4mm wiper arms

WINDSHIELD WASHER NOZZLE FOR 9X2,5MM WIPER ARMS



Part number	Description
Bulk	
TM.02.9025	Washer nozzle for 8x2,5mm wiper arms

WINDSHIELD WASHER NOZZLE FOR TYPE-17A WIPER ARMS



Part number	Description
Bulk	
TM.02.9017	Washer nozzle for Type-17A wiper arms

WINDSHIELD WASHER NOZZLE



Part number	Description
Bulk	
TM.02.9200	Angled bulkhead

CONNECTORS



Part number	Description	
Bulk		
TM.02.9702	I-connector	1
TM.02.9703	T-connector	2
TM.02.9704	Non-return valve	3

HOSE CLIPS



Part number	Description	
Bulk		
TM.02.9108	Hose clip for 8x3mm arms	1
TM.02.9112	Hose clip for 12x4mm arms	2

WINDSHIELD WASHER FULD HOSES



Part number	Description
Bulk	
TM.02.9300	4x6mm hose - black rubber
TM.02.9400	4x6mm hose - transparent PVC

WINDSHIELD WASHER PUMPS

EMC 95/54 EC



Part number	Description
Bulk	
TM.02.0712	12V pump - 25 ml/sec
TM.02.0724	24V pump - 25 ml/sec
TM.02.0748	48V pump - 25 ml/sec
Part number	Description
Bulk	
TM.02.FILTER	Filter for washer container pump

WINDSHIELD WASHER PUMP



Part number	Description
Bulk	
TM.02.0912	12V pump

WINDSHIELD WASHER KIT



Part number	Description
Bulk	
TM.02.0000	Washer kit, including: 2 nozzles 1 I-shaped connection 1 T-shaped connection ~3.5m of hose cables, switch + fixing part

T		T		T		T		T	
TM.01.0300	3	TM.06.1000	3	TM.24.1800	22	TM.51.180	36	TM.64.1469R	26
TM.01.0330	3	TM.07.0060	4	TM.24.2000	22	TM.516.M14	29	TM.64.1859	28
TM.01.0350	3	TM.07.0150	4	TM.25.1400	22	TM.516.M16	24,	TM.64.1867	27
TM.01.0400	3	TM.07.0250	4	TM.25.1600	22		25,	TM.64.1867R	27
TM.01.0450	3	TM.07.0270	4	TM.25.1800	22		26,	TM.64.1869	26
TM.01.0500	3	TM.07.0300	4	TM.25.2000	22		27,	TM.64.1869R	26
TM.01.0530	3	TM.07.0350	4	TM.27.1216	22	TM.52.1703	34	TM.64.9319	29
TM.01.0550	3	TM.07.0400	4	TM.30.0364R	19	TM.52.1706	34	TM.64.9319R	29
TM.01.0600	3	TM.07.0450	4	TM.31.0164	19	TM.52.1708	34	TM.64.9819	29
TM.01.BAYO	3	TM.07.0500	4	TM.31.0164R	19	TM.52.1711	34	TM.65.0167	25
TM.01.HOOK	3	TM.08.3040	5	TM.31.0264	19	TM.52.6552	11	TM.65.0167R	25
TM.01.SCREW	3	TM.08.4050	5	TM.31.0264R	19	TM.54.0329	32	TM.65.0169	24
TM.02.0000	45	TM.10.3040	5	TM.31.0364R	19	TM.54.0429	32	TM.65.0169R	24
TM.02.0212	40	TM.10.4050	5	TM.36.4820	31	TM.54.0469	32	TM.65.0267	25
TM.02.0224	40	TM.10.5060	5	TM.37.4820	31	TM.54.0669	32	TM.65.0267R	25
TM.02.0412	40	TM.10.5060S	5	TM.40.0286	16	TM.54.0829	32	TM.65.0269	24
TM.02.0424	40	TM.11.3040	5	TM.40.0353	16	TM.54.0869	32	TM.65.0269R	24
TM.02.04FIX	40	TM.11.4050	5	TM.40.0486	16	TM.54.1269	32	TM.65.0467	25
TM.02.0512	41	TM.12.3040	7	TM.40.0564	16	TM.54.1469	32	TM.65.0467R	25
TM.02.0524	41	TM.12.4050	7	TM.40.0586	16	TM.54.1869	32	TM.65.0469	24
TM.02.05CAP	41	TM.12.4052	7	TM.40.0653	16	TM.56.0327	33	TM.65.0469R	24
TM.02.0612	40	TM.12.5060	7	TM.40.0753	16	TM.56.0329	33	TM.65.1167	27
TM.02.0624	40	TM.12.5062	7	TM.40.3188	18	TM.56.0427	33	TM.65.1167R	27
TM.02.06CAP	40,	TM.13.4050	7	TM.40.3255	16	TM.56.0429	33	TM.65.1169	26
	41	TM.13.4052	7	TM.40.3346	16	TM.56.0827	33	TM.65.1169R	26
TM.02.0712	45	TM.13.5060	7	TM.40.3727	18	TM.56.0829	33	TM.65.1259	28
TM.02.0724	45	TM.13.5062	7	TM.40.712	38	TM.56.0927	33	TM.65.1267	27
TM.02.0748	45	TM.14.3040	5	TM.408.38	38	TM.56.0929	33	TM.65.1267R	27
TM.02.0912	45	TM.14.4050	5	TM.41.0286	16	TM.59.1245	13	TM.65.1269	26
TM.02.1212	41	TM.15.3040	5	TM.41.0486	16	TM.59.1285	13	TM.65.1269R	26
TM.02.1224	41	TM.15.4050	5	TM.41.0564	16	TM.59.1299	13	TM.65.1367	27
TM.02.2012	42	TM.16.3040	5	TM.41.0586	16	TM.60.1231	17	TM.65.1367R	27
TM.02.2512	42	TM.16.4050	5	TM.41.0653	16	TM.60.1260	13	TM.65.1369	26
TM.02.2524	42	TM.17.0400	8	TM.41.0753	16	TM.60.1431	17	TM.65.1369R	26
TM.02.4112	42	TM.17.0500	8	TM.42.0364	18	TM.60.1831	17	TM.65.1467	27
TM.02.4124	42	TM.17.0550	8	TM.42.0418R	18	TM.64.0100	24,	TM.65.1467R	27
TM.02.4212	42	TM.17.0600	8	TM.42.0564	18		26,	TM.65.1469	26
TM.02.4224	42	TM.17.0650	8	TM.42.0574	18		28,	TM.65.1469R	26
TM.02.9002	43	TM.17.0651	8	TM.42.0685	18		29	TM.65.1859	28
TM.02.9003	43	TM.17.0680	8	TM.42.0785	18	TM.64.0110	24,	TM.65.1867	27
TM.02.9008	43	TM.17.0700	8	TM.42.0853R	18		26,	TM.65.1867R	27
TM.02.9009	43	TM.17.0750	8	TM.42.0864	18		28,	TM.65.1869	26
TM.02.9012	43	TM.17.0800	8	TM.43.0364	18		29	TM.65.1869R	26
TM.02.9013	43	TM.17.0801	8	TM.43.0564	18	TM.64.0167	25	TM.65.1869R	26
TM.02.9017	44	TM.17.0900	8	TM.43.0785	18	TM.64.0167R	25	TM.67.46	10
TM.02.9025	44	TM.17.0900ST	8	TM.43.0785R	18	TM.64.0169	24	TM.67.98	10
TM.02.9108	44	TM.17.0950	8	TM.432.19	38	TM.64.0169R	24	TM.68.46	10
TM.02.9112	44	TM.17.1000	8	TM.432.29	38	TM.64.0200	24,	TM.68.98	10
TM.02.9200	44	TM.18.0400	9	TM.448.1232	22		26,	TM.69.36	10
TM.02.9300	44	TM.18.0410	9	TM.448.1233	22		28,	TM.69.59	10
TM.02.9400	44	TM.18.0500	9	TM.448.1233	22		29	TM.70.46	10
TM.02.9702	44	TM.18.0600	9	TM.448.1234	22	TM.64.0210	24,	TM.70.98	10
TM.02.9703	44	TM.18.0600S	9	TM.448.1252	22		26,	TM.71.46	10
TM.02.9704	44	TM.18.0650	9	TM.448.1253	22		28,	TM.71.98	10
TM.02.FILTER	45	TM.18.0650	9	TM.448.1253R	22		29	TM.71.98	10
TM.03.2837	4	TM.18.0700	9	TM.448.1254	22	TM.64.0267	25	TM.72.0603	37
TM.03.6674	4	TM.19.3040	6	TM.448.1272	22	TM.64.0267R	25	TM.72.0703	37
TM.05.0300	3	TM.19.3042	6	TM.448.1273	22	TM.64.0269	24	TM.72.0803	37
TM.05.0330	3	TM.19.4050	6	TM.448.1274	22	TM.64.0269R	24	TM.72.0903	37
TM.05.0350	3	TM.19.4052	6	TM.448.1293	22	TM.64.0467	25	TM.73.0603	37
TM.05.0400	3	TM.19.5060C	6	TM.448.1293R	22	TM.64.0467R	25	TM.73.0703	37
TM.05.0450	3	TM.20.1400	22	TM.448.2433	22	TM.64.0469	24	TM.73.0803	37
TM.05.0500	3	TM.20.1600	22	TM.448.2434	22	TM.64.0469R	24	TM.73.0903	37
TM.05.0500	3	TM.20.1800	22	TM.448.2453	22	TM.64.1167	27	TM.77.1246	11
TM.05.0600	3	TM.20.2000	22	TM.448.2454	22	TM.64.1167R	27	TM.77.1299	11
TM.05.0700	3	TM.21.0500	8	TM.448.2473	22	TM.64.1169	26	TM.77.1299	11
TM.06.0500	3	TM.21.0550	8	TM.448.2474	22	TM.64.1169R	26	TM.77.2446	11
TM.06.0550	3	TM.21.0600	8	TM.448.2474	22	TM.64.1259	28	TM.77.2499	11
TM.06.0600	3	TM.21.0650	8	TM.47.1263	12	TM.64.1267	27	TM.78.1246	11
TM.06.0602	4	TM.21.0700	8	TM.470.12	38	TM.64.1267R	27	TM.78.1299	11
TM.06.0603	4	TM.21.0750	8	TM.470.24	38	TM.64.1269	26	TM.78.2446	11
TM.06.0604	4	TM.21.0800	8	TM.48.1263	12	TM.64.1269R	26	TM.78.2499	11
TM.06.0650	3	TM.22.1216	22	TM.48.1263	12	TM.64.1319	29	TM.79.1260	11
TM.06.0652	4	TM.22.1419	22	TM.48.2463	12	TM.64.1367	27	TM.79.1295	11
TM.06.0653	4	TM.23.2870	6	TM.488.1294R	22	TM.64.1367R	27	TM.79.2460	11
TM.06.0700	3	TM.23.6673	6	TM.49.1263	14	TM.64.1369	26	TM.81	15
TM.06.0800	3	TM.24.1200	22	TM.49.1284	14	TM.64.1369R	26	TM.81.108M	15
TM.06.0801	3	TM.24.1400	22	TM.49.2484	14	TM.64.1467	27	TM.81.W558	15
TM.06.0900	3	TM.24.1600	22	TM.50.1284	14	TM.64.1467R	27	TM.82	15
				TM.50.180	36	TM.64.1469	26	TM.83	15

T

TM.84	15
TM.86.12	15
TM.86.W558B	15
TM.86A	15
TM.86L	15
TM.86R	15
TM.87	15
TM.87.W558	15
TM.90.3203	39
TM.90.3204	20, 39
TM.90.3206	20, 39
TM.90.3208	20, 39
TM.90.3213	20, 39
TM.90.3214	20, 39
TM.90.3216	20, 39
TM.90.3223	20, 39
TM.90.3224	20, 39
TM.90.3226	20, 39
TM.92.1432R	30
TM.92.1442	30
TM.92.1532R	30
TM.92.1632	30
TM.92.1632R	30
TM.92.1642	30
TM.92.1832	30
TM.92.1932	30
TM.92.1942	30
TM.93.1132	30
TM.93.1132R	30
TM.93.1532	30
TM.93.1632	30
TM.93.1832	30
TM.93.1942	30
TM.95.0721	35
TM.96.0502	35
TM.96.0602	35
TM.96.0722	35
TM.96.0722R	35
TM.96.0802	35
TM.96.0902	35
TM.97.0502	35
TM.97.0502R	35
TM.97.0602	35
TM.97.0722	35
TM.97.0802	35
TM.97.0902	35
TM.98.6781	20
TM.98.6783	20
TM.98.6786	20
TM.98.7061	20
TM.98.8489	20
TM.98.9111	20
TM.98.9113	20
TM.98.9116	20
TM.99.6781	20
TM.99.6783	20
TM.99.6786	20
TM.99.9111	20
TM.99.9113	20
TM.99.9116	20
TM.F035	15
TM.F100	15
TM.F200	15


WWW.CASTEELS.FR


WWW.CASTEELS.FR

CASTEELS France sàrl

ZA du Champ de Courses
76560 Doudeville - FRANCE


EXPORT EUROPE & USA


 +32 (0)2 648 35 17


 +32 (0)2 648 65 95

 info@casteels.fr

FRANCE & DOM/TOM

 +33 (0)2 32 70 64 02

 +33 (0)2 32 70 64 20

 contact@casteels.fr